

Mainsail: 7000413 Sophie mainsail.des

Design Info

=====

Design File:

\\Nas\工程部-专用文件\Queenie-跟进客户\Fareast Sails\2023 Order\Need Confrim Order\7000413 Sophie\7000413 So

Initial Design Date: 19/4/2023
Boat:

Comments:

Client:

Design Data

=====

Main

Measurements

Luff geodesic:	15.100m
Leech geodesic:	15.942m
Foot geodesic:	5.330m
Head geodesic:	0.075m
Upper width (MUW):	0.994m
Three-quarter width (MTW):	1.876m
Half width (MHW):	3.332m
Quarter width (MQW):	4.441m
Foot median:	15.485m
ORC Mainsail area:	46.661m ²
Surface area:	47.985m ²
Clew height:	0.100m
Mast rake:	0.000m

Battens

Position	Length	Roach	Angle	Luff	Leech	Full
85.333%	1.213m	0.281m	72.211?	12.876m	13.556m	Full
69.424%	2.330m	0.468m	72.211?	10.468m	11.028m	Full
52.368%	3.264m	0.462m	72.211?	7.888m	8.319m	Full
34.735%	4.090m	0.387m	72.211?	5.220m	5.518m	Full
17.501%	4.738m	0.213m	72.211?	2.612m	2.780m	Full

Reefing Points

1, Luff: 2.265m ; Leech: 2.345m ; Offset: 0.000m ; Number Eyelets: 3
2, Luff: 4.529m ; Leech: 4.693m ; Offset: 0.000m ; Number Eyelets: 3
3, Luff: 6.794m ; Leech: 7.054m ; Offset: 0.000m ; Number Eyelets: 2

Draft Stripes

1, Luff: 3.774m ; Leech: 3.826m ;
2, Luff: 7.549m ; Leech: 7.778m ;
3, Luff: 11.324m ; Leech: 11.782m ;

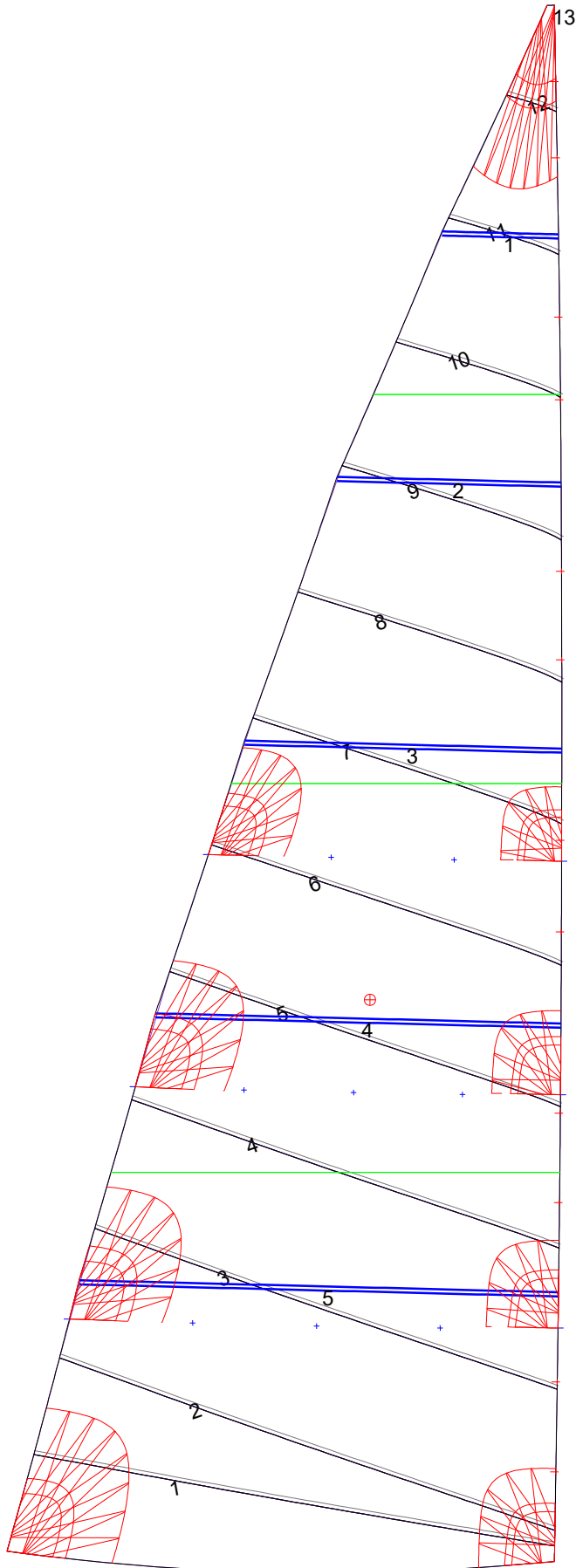
Luff Slides

1, Position: 0.871m
2, Position: 1.742m
3, Position: 3.481m
4, Position: 4.351m
5, Position: 6.109m
6, Position: 6.998m
7, Position: 8.748m
8, Position: 9.608m
9, Position: 11.271m
10, Position: 12.074m
11, Position: 13.618m
12, Position: 14.359m

Luff Curve

		Fanned Luff (@ 5.00% [0.265m])	Before BSeam
15.099m,	0.000m	100% (15.100m) :	0.000m
13.218m,	-0.035m	90% (13.590m) :	0.059m
11.325m,	-0.060m	80% (12.080m) :	0.115m
9.427m,	-0.070m	70% (10.570m) :	0.159m
7.550m,	-0.072m	60% (9.060m) :	0.181m
5.626m,	-0.066m	50% (7.550m) :	0.184m
3.775m,	-0.053m	40% (6.040m) :	0.168m
1.882m,	-0.030m	30% (4.530m) :	0.137m
0.000m,	0.000m	20% (3.020m) :	0.095m
		10% (1.510m) :	0.046m
		0% (0.000m) :	0.000m

Mainsail: 7000413 Sophie mainsail.des



Seam Allowances			
Zone: 1	Split	Radial	Cross
	0.038m	0.038m	0.038m

Edge Excesses			
Sail:	Luff	Leech	Foot
	0.000m	0.000m	0.000m

Total Seam Lengths (m)

Horizontal	39.64
Radial/Vertical	0.00
Bi-Radial Split	0.00

Materials

Material	Area (m ²)	Panels
Material 1	48.00	1,2,3,4,5 6,7,8,9,10 11,12,13