

# Genoa: 7000412 Gaetan Headsail.des

Design Info  
=====

Design File:  
\\Nas\工程部-专用文件\Queenie-跟进客户\Fareast Sails\2023 Order\Need Confrim Order\7000412 Gaetan\7000412 G

Initial Design Date: 19/4/2023  
Boat:

Comments:

Client:

Design Data  
=====

## Genoa

### Measurements

Luff geodesic:	41.581Ft
Leech geodesic:	37.992Ft
Foot geodesic:	15.188Ft
Headboard width:	0.112Ft
Luff perpendicular (HLP):	13.912Ft
Upper width (HUW):	1.524Ft
Three-quarter width (HTW):	3.010Ft
Half width (HHW):	6.303Ft
Quarter width (HQW):	9.974Ft
Foot median:	39.548Ft
ORC Headsail area:	274.857Ft?
IRC Headsail area:	274.297Ft?
Surface area:	276.620Ft?
Forestay height:	43.500Ft
J:	13.250Ft

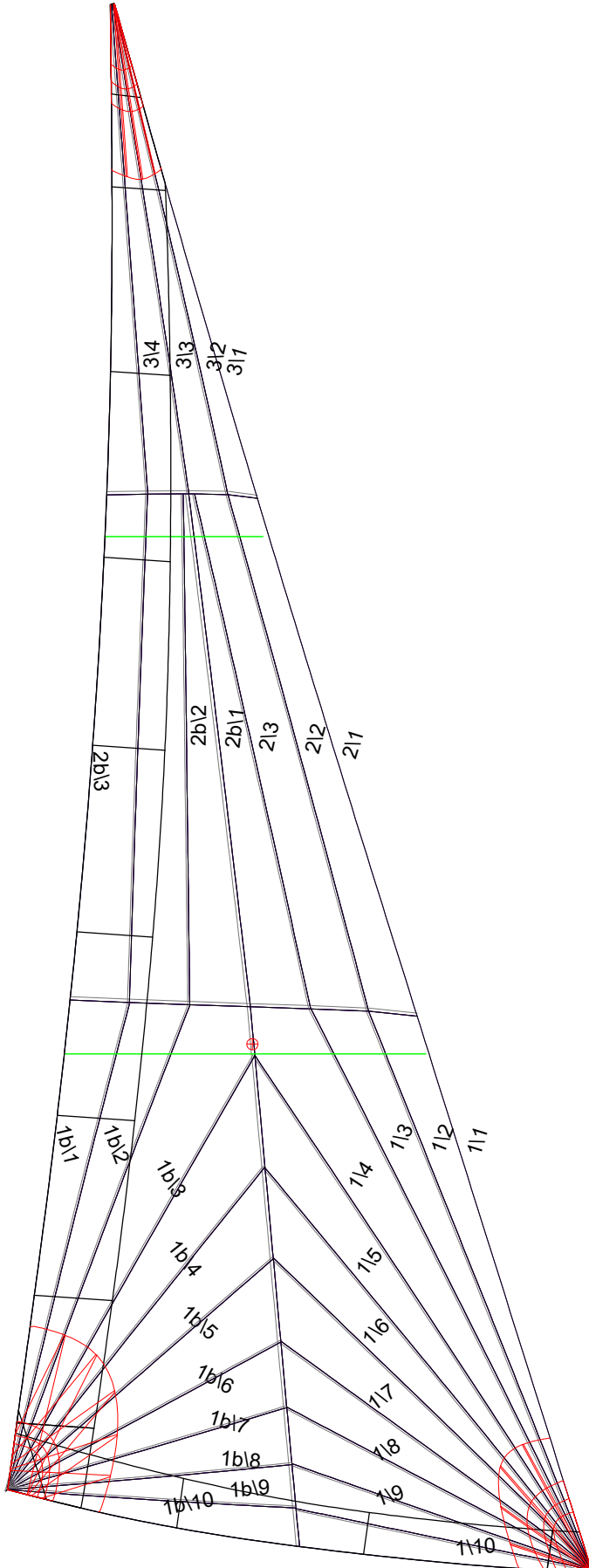
### Draft Stripes

- 1, Luff: 13.783Ft ; Leech: 11.208Ft ;
- 2, Luff: 27.542Ft ; Leech: 24.345Ft ;

### Luff Curve

		Fanned Luff (@ 5.00% [0.741Ft])	Before BSeam
41.573Ft,	0.000Ft	100% (41.574Ft) :	0.000Ft
38.118Ft,	0.141Ft	90% (37.417Ft) :	-0.158Ft
34.298Ft,	0.255Ft	80% (33.263Ft) :	-0.044Ft
30.934Ft,	0.314Ft	70% (29.104Ft) :	-0.033Ft
27.023Ft,	0.336Ft	60% (24.947Ft) :	-0.010Ft
20.688Ft,	0.295Ft	50% (20.788Ft) :	0.019Ft
13.511Ft,	0.200Ft	40% (16.631Ft) :	0.042Ft
7.027Ft,	0.100Ft	30% (12.473Ft) :	0.053Ft
0.000Ft,	0.000Ft	20% (8.317Ft) :	0.055Ft
		10% (4.155Ft) :	0.043Ft
		0% (0.000Ft) :	0.000Ft

# Genoa: 7000412 Gaetan Headsail.des



## Seam Allowances

	Split	Radial	Cross
Zone: 1/a	0.082Ft	0.049Ft	0.082Ft
Zone: 1/b	0.082Ft	0.049Ft	0.082Ft
Zone: 2/a	0.082Ft	0.049Ft	0.082Ft
Zone: 2/b	0.082Ft	0.049Ft	0.082Ft
Zone: 3	0.082Ft	0.049Ft	0.082Ft
Cover 1	0.082Ft	0.082Ft	0.082Ft
Cover 2	0.082Ft	0.082Ft	0.082Ft
Cover 3	0.000Ft	0.000Ft	0.000Ft
Cover 4	0.000Ft	0.000Ft	0.000Ft

## Edge Excesses

	Luff	Leech	Foot
Sail:	0.000Ft	0.000Ft	0.000Ft
Cover 0	0.230Ft	0.328Ft	0.230Ft
Cover 1	0.230Ft	0.230Ft	0.328Ft
Cover 2	0.000Ft	0.230Ft	0.230Ft
Cover 3	0.000Ft	0.230Ft	0.230Ft

## Total Seam Lengths (Ft)

Horizontal	13.44
Radial/Vertical	287.25
Bi-Radial Split	27.55

## Materials

Material	Area (Ft <sup>2</sup> )	Panels
Material 1	277.19	1b\1,1b\2,1b\3,1b\4,1b\5 1b\6,1b\7,1b\8,1b\9,1b\10 2b\1,2b\2,2b\3,2b\1,2b\2 2b\3,3b\1,3b\2,3b\3,3b\4