

Mainsail: 7000411 Peter MainsailV1.des

Design Info
=====

Design File:
\\NAS\Engineering files\Queenie-Customer Order\Fareast Sails\2023 Order\Need Confrim Order\7000411 Peter\70004

Initial Design Date: 27/5/2023
Boat:

Comments:

Client:

Design Data
=====

Main

Measurements

Luff geodesic: 15.250m
Leech geodesic: 15.937m
Foot geodesic: 4.950m
Head geodesic: 0.135m
Upper width (MUW): 0.988m
Three-quarter width (MTW): 1.791m
Half width (MHW): 3.104m
Quarter width (MQW): 4.117m
Foot median: 15.577m
ORC Mainsail area: 44.101m?
Surface area: 45.145m?
Clew height: 0.100m
Mast rake: 0.000m

Battens

Position	Length	Roach	Angle	Luff	Leech	Full
82.000%	1.439m	0.340m	72.430?	12.521m	13.029m	Full
62.000%	2.585m	0.441m	72.430?	9.491m	9.851m	Full
41.500%	3.525m	0.389m	72.430?	6.386m	6.594m	Full
21.000%	4.279m	0.225m	72.430?	3.281m	3.337m	Full

Reefing Points

1, Luff: 2.288m ; Leech: 2.358m ; Offset: 0.000m ; Number Eyelets: 0
2, Luff: 4.575m ; Leech: 4.715m ; Offset: 0.000m ; Number Eyelets: 0
3, Luff: 6.863m ; Leech: 7.075m ; Offset: 0.000m ; Number Eyelets: 0

Draft Stripes

1, Luff: 3.813m ; Leech: 3.843m ;
2, Luff: 7.625m ; Leech: 7.804m ;
3, Luff: 11.437m ; Leech: 11.805m ;

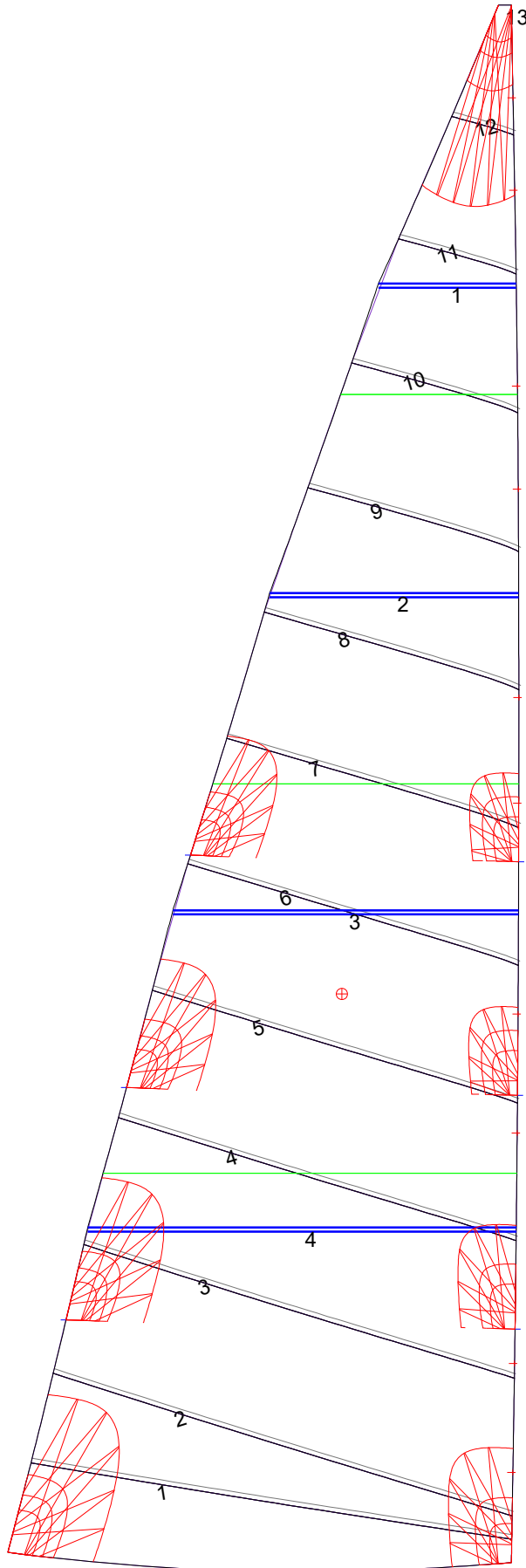
Luff Slides

1, Position: 0.884m
2, Position: 1.949m
3, Position: 4.205m
4, Position: 5.370m
5, Position: 7.436m
6, Position: 8.469m
7, Position: 10.510m
8, Position: 11.518m
9, Position: 13.434m
10, Position: 14.342m

Luff Curve

		Fanned Luff (@ 5.00% [0.247m])	Before BSeam
15.249m,	0.000m	100% (15.250m) :	0.000m 0.000m
13.349m,	-0.035m	90% (13.725m) :	0.020m 0.052m
11.437m,	-0.060m	80% (12.200m) :	-0.038m 0.101m
9.520m,	-0.071m	70% (10.675m) :	0.049m 0.138m
7.625m,	-0.072m	60% (9.150m) :	0.052m 0.157m
5.682m,	-0.067m	50% (7.625m) :	0.052m 0.158m
3.812m,	-0.054m	40% (6.100m) :	0.048m 0.145m
1.900m,	-0.030m	30% (4.575m) :	0.040m 0.118m
0.000m,	0.000m	20% (3.050m) :	0.029m 0.082m
		10% (1.525m) :	0.015m 0.040m
		0% (0.000m) :	0.000m 0.000m

Mainsail: 7000411 Peter MainsailV1.des



Seam Allowances			
Zone: 1	Split	Radial	Cross
	0.046m	0.046m	0.046m

Edge Excesses			
Sail:	Luff	Leech	Foot
	0.000m	0.000m	0.000m

Total Seam Lengths (m)

Horizontal	37.45
Radial/Vertical	0.00
Bi-Radial Split	0.00

Materials

Material	Area (m ²)	Panels
Material 1	45.19	1,2,3,4,5 6,7,8,9,10 11,12,13