

Mainsail: 7000411 Peter Mainsail.des

Design Info
=====

Design File:
\\NAS\Engineering files\Queenie-Customer Order\Fareast Sails\2023 Order\Need Confrim Order\7000411 Peter\70004

Initial Design Date: 27/5/2023
Boat:

Comments:

Client:

Design Data
=====

Main

Measurements

Luff geodesic:	15.250m
Leech geodesic:	15.910m
Foot geodesic:	4.950m
Head geodesic:	0.135m
Upper width (MUW):	0.992m
Three-quarter width (MTW):	1.803m
Half width (MHW):	3.128m
Quarter width (MQW):	4.135m
Foot median:	15.569m
ORC Mainsail area:	44.299m?
Surface area:	45.368m?
Clew height:	0.100m
Mast rake:	0.000m

Battens

Position	Length	Roach	Angle	Luff	Leech	Full
82.000%	1.448m	0.340m	72.400?	12.526m	13.005m	Full
62.000%	2.606m	0.441m	72.400?	9.503m	9.833m	Full
41.500%	3.550m	0.389m	72.400?	6.403m	6.582m	Full
21.000%	4.295m	0.225m	72.400?	3.304m	3.331m	Full

Reefing Points

1, Luff: 2.287m ; Leech: 2.353m ; Offset: 0.000m ; Number Eyelets: 0
2, Luff: 4.574m ; Leech: 4.706m ; Offset: 0.000m ; Number Eyelets: 0

Draft Stripes

1, Luff: 3.811m ; Leech: 3.811m ;
2, Luff: 7.623m ; Leech: 7.772m ;
3, Luff: 11.436m ; Leech: 11.774m ;

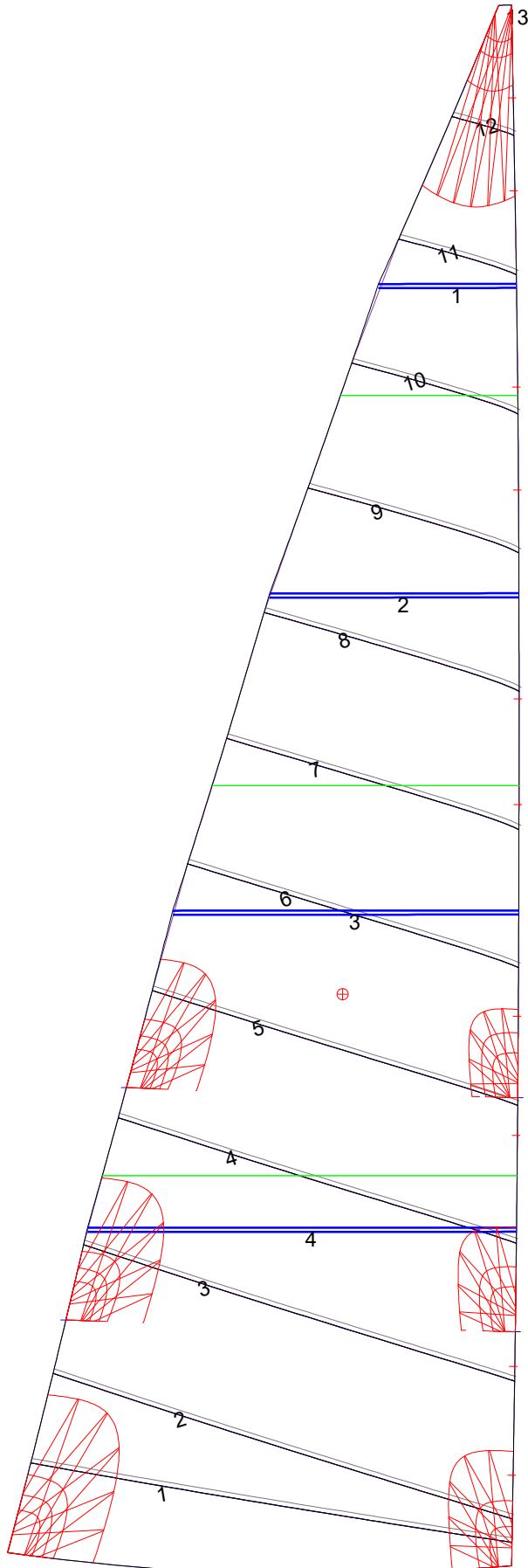
Luff Slides

1, Position: 0.884m
2, Position: 1.949m
3, Position: 4.205m
4, Position: 5.370m
5, Position: 7.436m
6, Position: 8.469m
7, Position: 10.510m
8, Position: 11.518m
9, Position: 13.434m
10, Position: 14.342m

Luff Curve

		Fanned Luff (@ 5.00% [0.246m])	Before BSeam
15.249m,	0.000m	100% (15.250m) :	0.000m
13.349m,	-0.035m	90% (13.725m) :	0.058m
11.437m,	-0.060m	80% (12.200m) :	0.112m
9.520m,	-0.071m	70% (10.675m) :	0.153m
7.625m,	-0.072m	60% (9.150m) :	0.175m
5.682m,	-0.067m	50% (7.625m) :	0.178m
3.812m,	-0.054m	40% (6.100m) :	0.162m
1.900m,	-0.030m	30% (4.575m) :	0.132m
0.000m,	0.000m	20% (3.050m) :	0.091m
		10% (1.525m) :	0.044m
		0% (0.000m) :	0.000m

Mainsail: 7000411 Peter Mainsail.des



Seam Allowances			
Zone: 1	Split	Radial	Cross
	0.046m	0.046m	0.046m

Edge Excesses			
Sail:	Luff	Leech	Foot
	0.000m	0.000m	0.000m

Total Seam Lengths (m)

Horizontal	37.66
Radial/Vertical	0.00
Bi-Radial Split	0.00

Materials

Material	Area (m ²)	Panels
Material 1	45.41	1,2,3,4,5 6,7,8,9,10 11,12,13