

Mainsail: 7000408 Blaz mainsail.des

Design Info
=====

Design File:
\\Nas\工程部-专用文件\Queenie-跟进客户\Fareast Sails\2023 Order\Need Confrim Order\7000408 Blaz\7000408 Blaz

Initial Design Date: 19/4/2023
Boat:

Comments:

Client:

Design Data
=====

Main

Measurements

Luff geodesic:	7.660m
Leech geodesic:	8.010m
Foot geodesic:	2.722m
Head geodesic:	0.115m
Upper width (MUW):	0.533m
Three-quarter width (MTW):	0.945m
Half width (MHW):	1.650m
Quarter width (MQW):	2.233m
Foot median:	7.832m
ORC Mainsail area:	11.963m ²
Surface area:	12.276m ²
Clew height:	0.100m
Mast rake:	0.000m

Battens

Position	Length	Roach	Angle	Luff	Leech	Full
82.000%	0.564m	0.122m	90.000?	6.089m	6.554m	
62.000%	0.806m	0.173m	90.000?	4.395m	4.956m	
41.600%	0.806m	0.153m	90.000?	2.671m	3.325m	
21.000%	0.671m	0.088m	90.000?	0.936m	1.679m	

Reefing Points

1, Luff: 1.034m ; Leech: 1.070m ; Offset: 0.000m ; Number Eyelets: 2
2, Luff: 2.182m ; Leech: 2.257m ; Offset: 0.000m ; Number Eyelets: 2

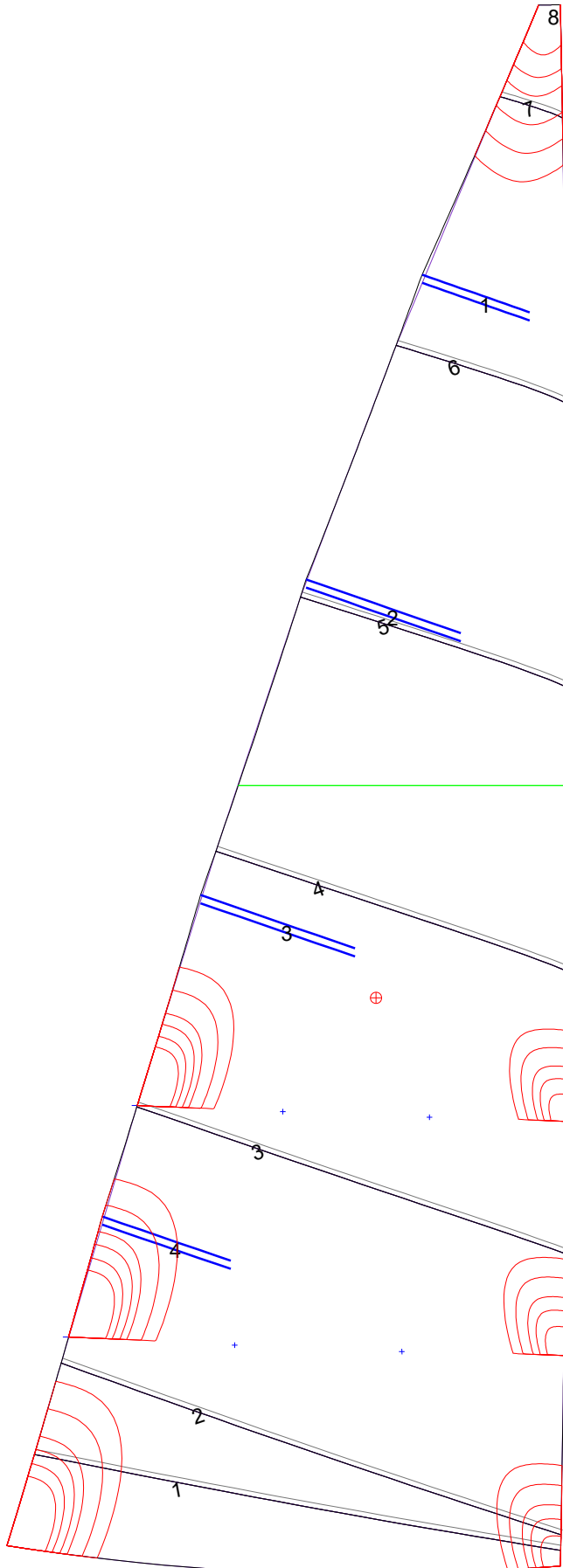
Draft Stripes

1, Luff: 3.829m ; Leech: 3.903m ;

Luff Curve

		Fanned Luff (@ 5.00% [0.136m])	Before BSeam
7.660m,	0.000m	100% (7.660m) :	0.000m
6.705m,	-0.018m	90% (6.894m) :	0.028m
5.745m,	-0.030m	80% (6.128m) :	0.053m
4.782m,	-0.036m	70% (5.362m) :	0.070m
3.830m,	-0.036m	60% (4.596m) :	0.078m
2.854m,	-0.034m	50% (3.830m) :	0.080m
1.915m,	-0.027m	40% (3.064m) :	0.076m
0.955m,	-0.015m	30% (2.298m) :	0.066m
0.000m,	0.000m	20% (1.532m) :	0.049m
		10% (0.766m) :	0.025m
		0% (0.000m) :	0.000m

Mainsail: 7000408 Blaz mainsail.des



Seam Allowances			
Zone: 1	Split	Radial	Cross
	0.025m	0.025m	0.025m

Edge Excesses			
Sail:	Luff	Leech	Foot
	0.000m	0.000m	0.000m

Total Seam Lengths (m)

Horizontal	12.11
Radial/Vertical	0.00
Bi-Radial Split	0.00

Materials

Material	Area (m ²)	Panels
Material 1	12.26	1,2,3,4,5 6,7,8