

# Mainsail: 7000330 John Mainsail.des

Design Info  
=====

Design File:  
\\Nas\工程部-专用文件\Queenie-跟进客户\Fareast Sails\2023 Order\Need Confrim Order\7000330 John\7000330 John

Initial Design Date: 28/3/2023  
Boat:

Comments:

Client:

Design Data  
=====

## Main

### Measurements

Luff geodesic:	24.970Ft
Leech geodesic:	26.662Ft
Foot geodesic:	10.335Ft
Head geodesic:	0.377Ft
Upper width (MUW):	1.893Ft
Three-quarter width (MTW):	3.445Ft
Half width (MHW):	6.152Ft
Quarter width (MQW):	8.400Ft
Foot median:	25.733Ft
ORC Mainsail area:	145.718Ft?
Surface area:	149.757Ft?
Clew height:	0.328Ft
Mast rake:	0.000Ft

### Battens

Position	Length	Roach	Angle	Luff	Leech	Full
80.000%	2.993Ft	0.420Ft	69.738?	19.965Ft	21.245Ft	Full
60.000%	5.257Ft	0.535Ft	69.738?	14.979Ft	15.934Ft	Full
40.000%	7.182Ft	0.464Ft	69.738?	9.994Ft	10.623Ft	Full
20.000%	8.844Ft	0.277Ft	69.738?	5.011Ft	5.311Ft	Full

### Reefing Points

1, Luff: 3.744Ft ; Leech: 3.951Ft ; Offset: 0.000Ft ; Number Eyelets: 2  
2, Luff: 7.488Ft ; Leech: 7.904Ft ; Offset: 0.000Ft ; Number Eyelets: 2

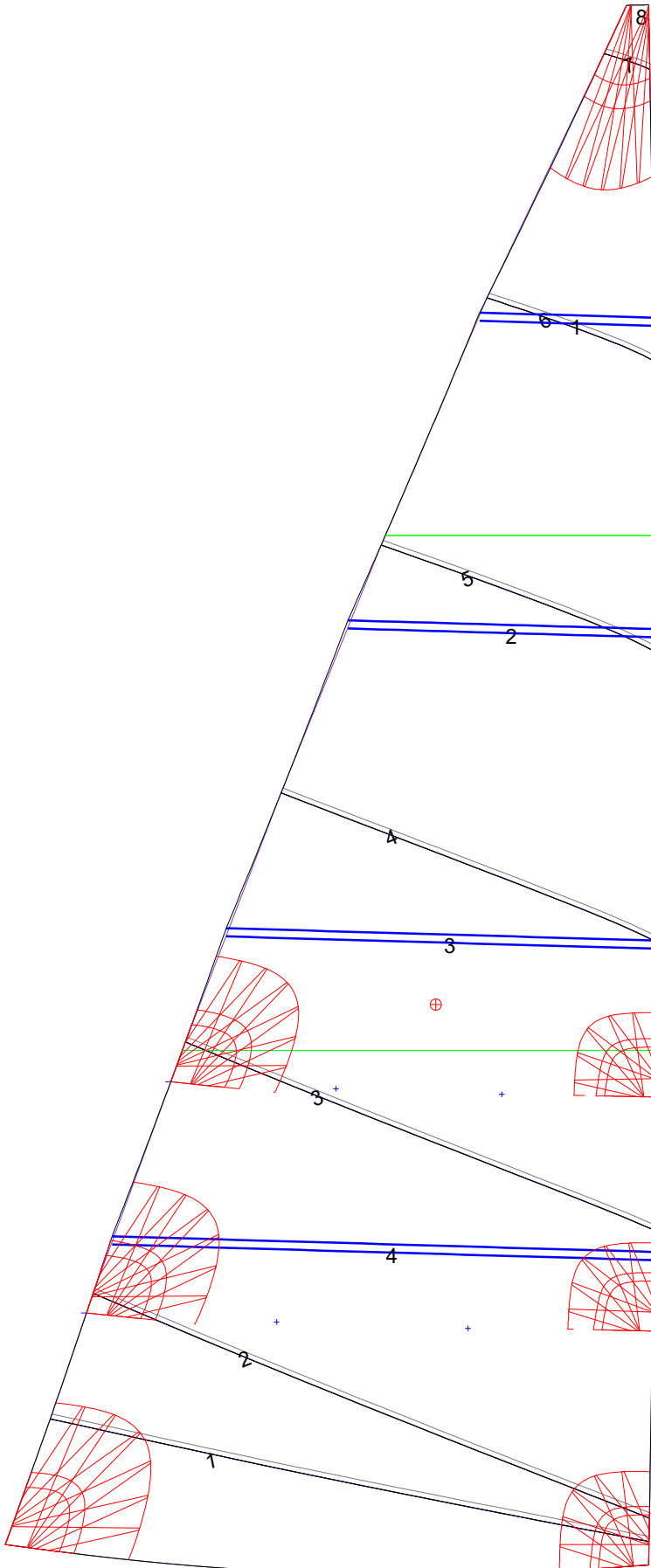
### Draft Stripes

1, Luff: 8.237Ft ; Leech: 8.439Ft ;  
2, Luff: 16.477Ft ; Leech: 17.282Ft ;

### Luff Curve

		Fanned Luff (@ 5.00% [0.515Ft])	Before BSeam
24.970Ft,	0.000Ft	100% (24.970Ft) :	0.000Ft
21.858Ft,	-0.058Ft	90% (22.474Ft) :	0.101Ft
18.727Ft,	-0.099Ft	80% (19.976Ft) :	0.197Ft
15.589Ft,	-0.117Ft	70% (17.480Ft) :	0.271Ft
12.485Ft,	-0.119Ft	60% (14.982Ft) :	0.311Ft
9.304Ft,	-0.110Ft	50% (12.485Ft) :	0.317Ft
6.242Ft,	-0.088Ft	40% (9.988Ft) :	0.290Ft
3.112Ft,	-0.050Ft	30% (7.491Ft) :	0.236Ft
0.000Ft,	0.000Ft	20% (4.994Ft) :	0.163Ft
		10% (2.497Ft) :	0.078Ft
		0% (0.000Ft) :	0.000Ft

# Mainsail: 7000330 John Mainsail.des



Seam Allowances			
Zone: 1	Split	Radial	Cross
	0.000Ft	0.000Ft	0.082Ft

Edge Excesses			
Sail:	Luff	Leech	Foot
	0.000Ft	0.000Ft	0.000Ft

**Total Seam Lengths (Ft)**

Horizontal	43.43
Radial/Vertical	0.00
Bi-Radial Split	0.00

**Materials**

Material	Area (Ft <sup>2</sup> )	Panels
Material 1	149.72	1,2,3,4,5 6,7,8