

Mainsail: 7000320 Tom-1 Mainsail.des

Design Info
=====

Design File:
\\Nas\工程部-专用文件\Queenie-跟进客户\Fareast Sails\2023 Order\Need Confrim Order\7000320 Tom\7000320 Tom-

Initial Design Date: 5/4/2023
Boat:

Comments:

Client:

Design Data
=====

Main

Measurements

Luff geodesic: 30.772Ft
 Leech geodesic: 31.797Ft
 Foot geodesic: 8.990Ft
 Head geodesic: 0.377Ft
 Upper width (MUW): 1.887Ft
 Three-quarter width (MTW): 3.368Ft
 Half width (MHW): 5.755Ft
 Quarter width (MQW): 7.560Ft
 Foot median: 31.154Ft
 ORC Mainsail area: 164.419Ft?
 Surface area: 167.076Ft?
 Clew height: 0.100Ft
 Mast rake: 0.000Ft

Battens

Position	Length	Roach	Angle	Luff	Leech	Full
80.000%	2.933Ft	0.617Ft	75.792?	24.601Ft	25.371Ft	Full
60.000%	4.985Ft	0.792Ft	75.792?	18.449Ft	19.028Ft	Full
40.000%	6.609Ft	0.696Ft	75.792?	12.298Ft	12.685Ft	Full
20.000%	7.900Ft	0.408Ft	75.792?	6.149Ft	6.343Ft	Full

Reefing Points

1, Luff: 4.153Ft ; Leech: 4.244Ft ; Offset: 0.000Ft ; Number Eyelets: 2
 2, Luff: 8.460Ft ; Leech: 8.646Ft ; Offset: 0.000Ft ; Number Eyelets: 2

Draft Stripes

1, Luff: 10.152Ft ; Leech: 10.194Ft ;
 2, Luff: 20.306Ft ; Leech: 20.702Ft ;

Luff Slides

1, Position: 3.074Ft
 2, Position: 9.504Ft
 3, Position: 15.374Ft
 4, Position: 21.525Ft
 5, Position: 27.687Ft

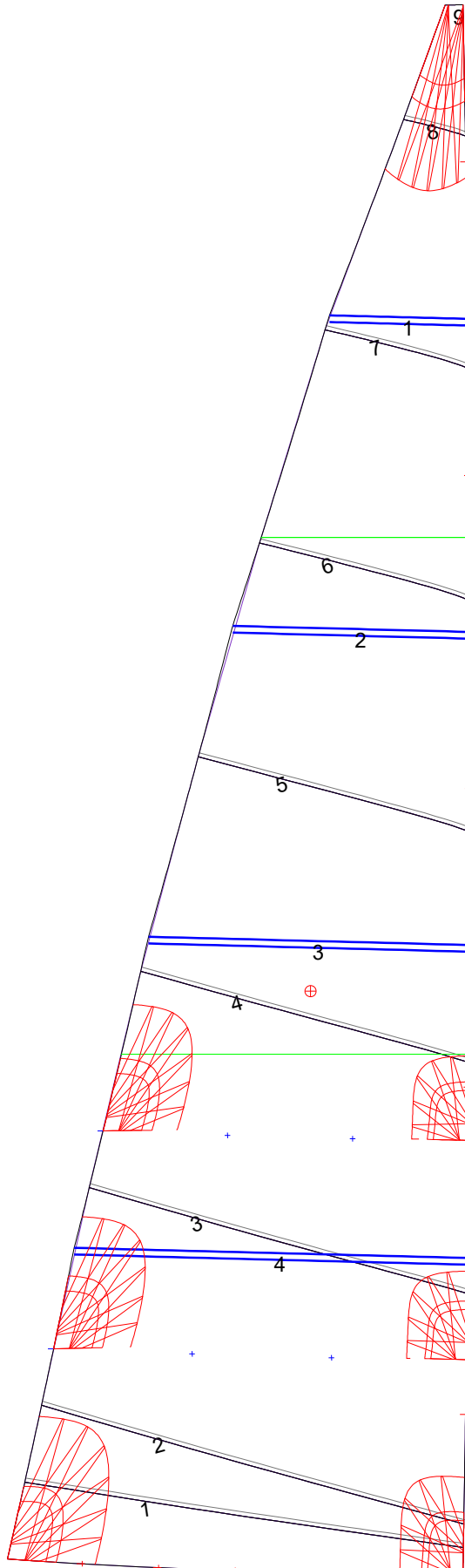
Foot Slides

1, Position: 1.476Ft
 2, Position: 2.986Ft
 3, Position: 4.495Ft
 4, Position: 6.004Ft
 5, Position: 7.514Ft

Luff Curve

		Fanned Luff (@ 5.00% [0.448Ft])	Before BSeam
30.771Ft,	0.000Ft	100% (30.772Ft) :	0.000Ft
26.936Ft,	-0.071Ft	90% (27.695Ft) :	0.040Ft
23.078Ft,	-0.122Ft	80% (24.618Ft) :	0.212Ft
19.210Ft,	-0.144Ft	70% (21.541Ft) :	0.287Ft
15.385Ft,	-0.146Ft	60% (18.463Ft) :	0.324Ft
11.466Ft,	-0.135Ft	50% (15.386Ft) :	0.327Ft
7.693Ft,	-0.108Ft	40% (12.309Ft) :	0.299Ft
3.834Ft,	-0.061Ft	30% (9.232Ft) :	0.243Ft
0.000Ft,	0.000Ft	20% (6.154Ft) :	0.170Ft
		10% (3.077Ft) :	0.030Ft
		0% (0.000Ft) :	0.000Ft

Mainsail: 7000320 Tom-1 Mainsail.des



Seam Allowances			
Zone: 1	Split	Radial	Cross
	0.000Ft	0.000Ft	0.082Ft

Edge Excesses			
Sail:	Luff	Leech	Foot
	0.000Ft	0.000Ft	0.000Ft

Total Seam Lengths (Ft)

Horizontal	47.18
Radial/Vertical	0.00
Bi-Radial Split	0.00

Materials

Material	Area (Ft ²)	Panels
Material 1	167.05	1,2,3,4,5 6,7,8,9