

# Mainsail: 7000318 Kyle MainsailV1.des

Design Info  
=====

Design File:  
\\Nas\工程部-专用文件\Queenie-跟进客户\Fareast Sails\2023 Order\Need Confrim Order\7000318 Kyle\7000318 Kyle

Initial Design Date: 4/4/2023  
Boat:

Comments:

Client:

Design Data  
=====

Main

Measurements

Luff geodesic: 22.743Ft  
 Leech geodesic: 23.901Ft  
 Foot geodesic: 8.123Ft  
 Head geodesic: 0.377Ft  
 Upper width (MUW): 1.711Ft  
 Three-quarter width (MTW): 3.047Ft  
 Half width (MHW): 5.210Ft  
 Quarter width (MQW): 6.832Ft  
 Foot median: 23.132Ft  
 ORC Mainsail area: 109.951Ft?  
 Surface area: 112.369Ft?  
 Clew height: 0.328Ft  
 Mast rake: 0.000Ft

Battens

Position	Length	Roach	Angle	Luff	Leech	Full
80.000%	1.742Ft	0.569Ft	90.000?	17.540Ft	19.047Ft	
60.000%	2.487Ft	0.740Ft	90.000?	12.497Ft	14.285Ft	
40.000%	2.487Ft	0.652Ft	90.000?	7.468Ft	9.524Ft	
20.000%	2.073Ft	0.377Ft	90.000?	2.455Ft	4.762Ft	

Reefing Points

1, Luff: 2.842Ft ; Leech: 2.937Ft ; Offset: 0.000Ft ; Number Eyelets: 2  
 2, Luff: 5.798Ft ; Leech: 5.988Ft ; Offset: 0.000Ft ; Number Eyelets: 2

Draft Stripes

1, Luff: 7.503Ft ; Leech: 7.585Ft ;  
 2, Luff: 15.007Ft ; Leech: 15.468Ft ;

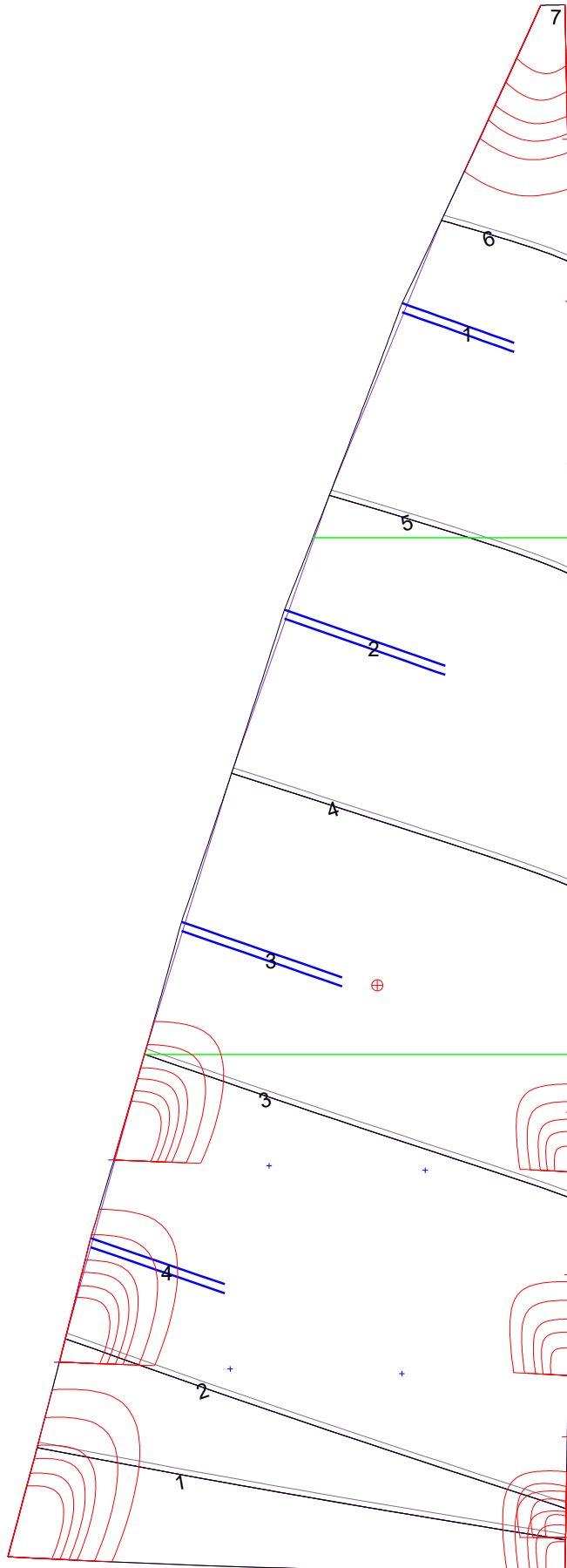
Luff Slides

1, Position: 1.954Ft  
 2, Position: 4.308Ft  
 3, Position: 6.663Ft  
 4, Position: 9.017Ft  
 5, Position: 11.371Ft  
 6, Position: 13.726Ft  
 7, Position: 16.080Ft  
 8, Position: 18.434Ft  
 9, Position: 20.789Ft

Luff Curve

		Fanned Luff (@ 5.00% [0.405Ft])	Before BSeam
22.742Ft,	0.000Ft	100% (22.743Ft) :	0.000Ft
19.908Ft,	-0.059Ft	90% (20.469Ft) :	0.095Ft
17.056Ft,	-0.101Ft	80% (18.194Ft) :	0.184Ft
14.198Ft,	-0.119Ft	70% (15.920Ft) :	0.249Ft
11.371Ft,	-0.121Ft	60% (13.646Ft) :	0.283Ft
8.474Ft,	-0.112Ft	50% (11.371Ft) :	0.285Ft
5.685Ft,	-0.090Ft	40% (9.097Ft) :	0.260Ft
2.834Ft,	-0.051Ft	30% (6.823Ft) :	0.211Ft
0.000Ft,	0.000Ft	20% (4.548Ft) :	0.146Ft
		10% (2.274Ft) :	0.071Ft
		0% (0.000Ft) :	0.000Ft

# Mainsail: 7000318 Kyle MainsailV1.des



Seam Allowances			
Zone: 1	Split	Radial	Cross
	0.000Ft	0.000Ft	0.082Ft

Edge Excesses			
Sail:	Luff	Leech	Foot
	0.000Ft	0.000Ft	0.000Ft

**Total Seam Lengths (Ft)**

Horizontal	33.86
Radial/Vertical	0.00
Bi-Radial Split	0.00

**Materials**

Material	Area (Ft <sup>2</sup> )	Panels
Material 1	111.97	1,2,3,4,5 6,7