

Mainsail: 7000318 Kyle Mainsail.des

Design Info
=====

Design File:
\\Nas\工程部-专用文件\Queenie-跟进客户\Fareast Sails\2023 Order\Need Confrim Order\7000318 Kyle\7000318 Kyle

Initial Design Date: 4/4/2023
Boat:

Comments:

Client:

Design Data
=====

Main

Measurements

Luff geodesic: 274.92In
Leech geodesic: 288.06In
Foot geodesic: 99.49In
Head geodesic: 4.53In
Upper width (MUW): 20.75In
Three-quarter width (MTW): 37.03In
Half width (MHW): 63.53In
Quarter width (MQW): 83.51In
Foot median: 279.08In
ORC Mainsail area: 112.665Ft?
Surface area: 115.067Ft?
Clew height: 3.94In
Mast rake: 0.00In

Battens

Position	Length	Roach	Angle	Luff	Leech	Full
80.000%	20.91In	6.83In	90.000?	212.08In	229.54In	
60.000%	29.84In	8.87In	90.000?	151.18In	172.16In	
40.000%	29.85In	7.82In	90.000?	90.45In	114.77In	
20.000%	24.87In	4.52In	90.000?	29.92In	57.39In	

Reefing Points

1, Luff: 34.35In ; Leech: 35.43In ; Offset: 0.00In ; Number Eyelets: 2
2, Luff: 70.07In ; Leech: 72.24In ; Offset: 0.00In ; Number Eyelets: 2

Draft Stripes

1, Luff: 90.68In ; Leech: 90.40In ;
2, Luff: 181.39In ; Leech: 185.85In ;

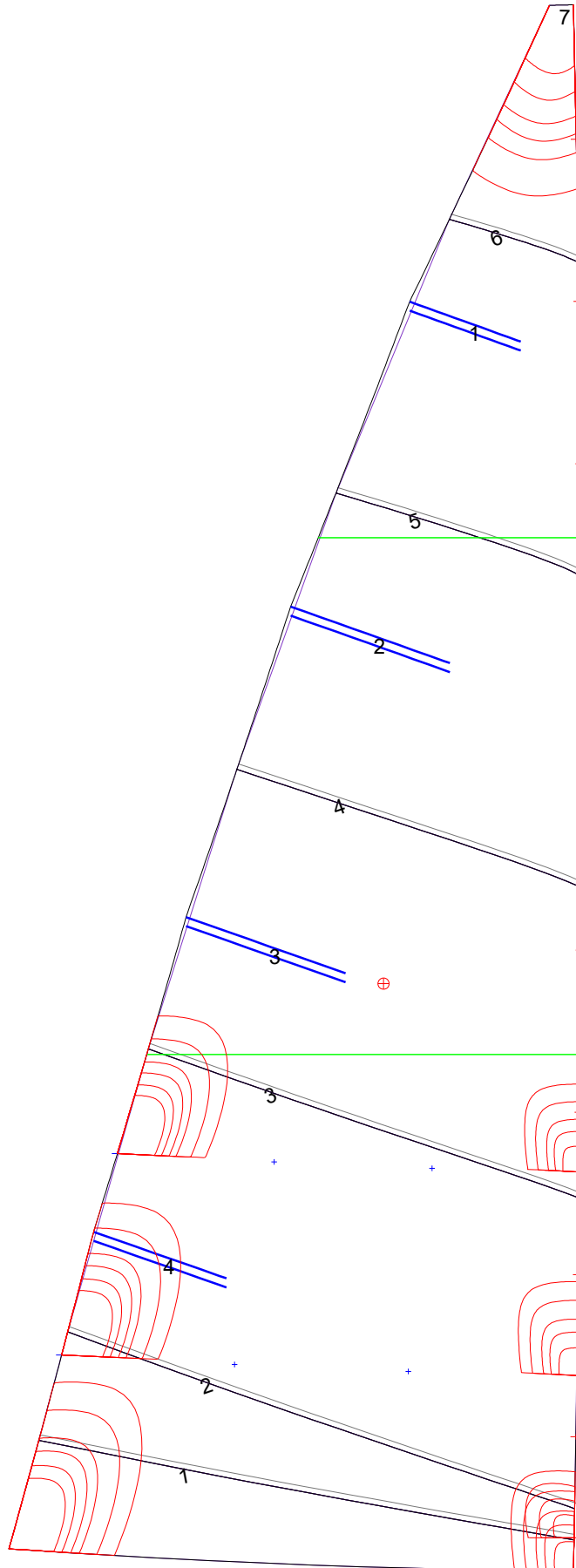
Luff Slides

1, Position: 23.62In
2, Position: 52.08In
3, Position: 80.54In
4, Position: 109.00In
5, Position: 137.46In
6, Position: 165.92In
7, Position: 194.38In
8, Position: 222.84In
9, Position: 251.30In

Luff Curve

		Fanned Luff (@ 5.00% [4.95In])	Before BSeam
274.91In,	0.00In	100% (274.92In) :	-0.00In 0.00In
240.65In,	-0.71In	90% (247.44In) :	0.40In 1.15In
206.18In,	-1.21In	80% (219.94In) :	0.74In 2.22In
171.63In,	-1.43In	70% (192.45In) :	0.94In 3.02In
137.45In,	-1.45In	60% (164.95In) :	1.00In 3.43In
102.43In,	-1.35In	50% (137.46In) :	0.99In 3.46In
68.73In,	-1.08In	40% (109.97In) :	0.91In 3.15In
34.26In,	-0.61In	30% (82.48In) :	0.78In 2.56In
0.00In,	0.00In	20% (54.98In) :	0.57In 1.78In
		10% (27.50In) :	0.29In 0.87In
		0% (0.00In) :	0.00In 0.00In

Mainsail: 7000318 Kyle Mainsail.des



Seam Allowances			
Zone: 1	Split	Radial	Cross
	0.000In	0.000In	0.984In

Edge Excesses			
Sail:	Luff	Leech	Foot
	0.000In	0.000In	0.000In

Total Seam Lengths (In)

Horizontal	414.51
Radial/Vertical	0.00
Bi-Radial Split	0.00

Materials

Material	Area (Ft ²)	Panels
Material 1	114.67	1,2,3,4,5 6,7