

Mainsail: 7000307 Matteo-1 Mainsail.des

Design Info
=====

Design File:
\\Nas\工程部-专用文件\Queenie-跟进客户\Fareast Sails\2023 Order\Need Confrim Order\7000307 Matteo\7000307 M

Initial Design Date: 5/4/2023
Boat:

Comments:

Client:

Design Data
=====

Main

Measurements

Luff geodesic:	12.115m
Leech geodesic:	12.821m
Foot geodesic:	4.530m
Head geodesic:	0.115m
Upper width (MUW):	0.837m
Three-quarter width (MTW):	1.542m
Half width (MHW):	2.745m
Quarter width (MQW):	3.710m
Foot median:	12.438m
ORC Mainsail area:	31.265m ²
Surface area:	32.076m ²
Clew height:	0.100m
Mast rake:	0.000m

Battens

Position	Length	Roach	Angle	Luff	Leech	Full
81.281%	1.262m	0.231m	71.302?	9.843m	10.384m	Full
61.437%	2.283m	0.300m	71.302?	7.440m	7.849m	Full
41.146%	3.149m	0.265m	71.302?	4.984m	5.257m	Full
20.916%	3.866m	0.153m	71.302?	2.536m	2.672m	Full

Reefing Points

1, Luff: 1.817m ; Leech: 1.898m ; Offset: 0.000m ; Number Eyelets: 0
2, Luff: 3.633m ; Leech: 3.794m ; Offset: 0.000m ; Number Eyelets: 0

Draft Stripes

1, Luff: 4.118m ; Leech: 4.209m ;
2, Luff: 7.994m ; Leech: 8.317m ;

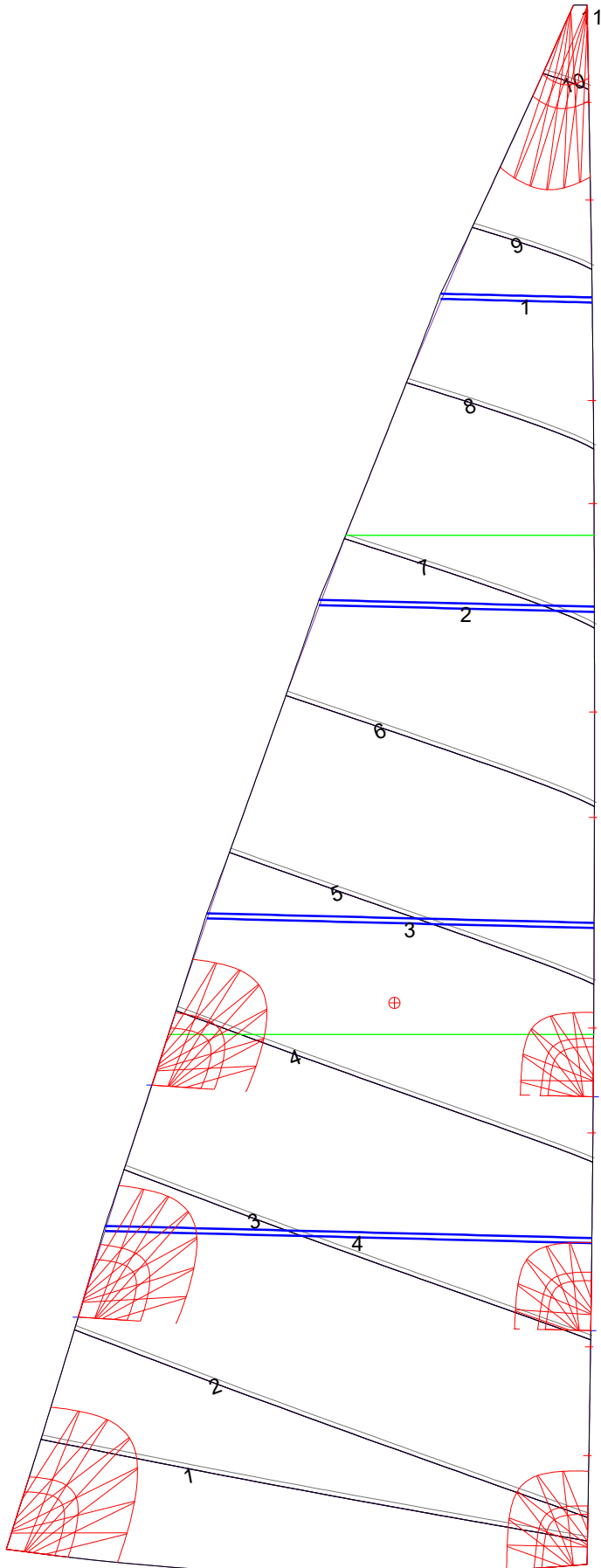
Luff Slides

1, Position: 0.845m
2, Position: 1.690m
3, Position: 3.352m
4, Position: 4.168m
5, Position: 5.803m
6, Position: 6.622m
7, Position: 8.241m
8, Position: 9.042m
9, Position: 10.600m
10, Position: 11.358m

Luff Curve

		Fanned Luff (@ 5.00% [0.226m])	Before BSeam
12.115m,	0.000m	100% (12.115m) :	0.000m
10.605m,	-0.028m	90% (10.904m) :	0.047m
9.086m,	-0.048m	80% (9.692m) :	0.092m
7.563m,	-0.057m	70% (8.481m) :	0.125m
6.057m,	-0.058m	60% (7.269m) :	0.144m
4.514m,	-0.053m	50% (6.058m) :	0.146m
3.029m,	-0.043m	40% (4.846m) :	0.134m
1.510m,	-0.024m	30% (3.634m) :	0.109m
0.000m,	0.000m	20% (2.423m) :	0.075m
		10% (1.212m) :	0.036m
		0% (0.000m) :	0.000m

Mainsail: 7000307 Matteo-1 Mainsail.des



Seam Allowances			
Zone: 1	Split	Radial	Cross
	0.000m	0.000m	0.035m

Edge Excesses			
Sail:	Luff	Leech	Foot
	0.000m	0.000m	0.000m

Total Seam Lengths (m)

Horizontal	27.22
Radial/Vertical	0.00
Bi-Radial Split	0.00

Materials

Material	Area (m ²)	Panels
Material 1	32.09	1,2,3,4,5 6,7,8,9,10 11