

Mainsail: 7000212 Arnold main.des

Design Info
=====

Design File:
F:\Dropbox\Dropbox-20221019\Dropbox20221213\Dropbox\Fareast Sails\2023 Order\Need Confrim Order\7000212 Ar

Initial Design Date: 21/2/2023
Boat:

Comments:

Client:

Design Data
=====

Main

Measurements

Luff geodesic:	8.073m
Leech geodesic:	8.610m
Foot geodesic:	3.227m
Head geodesic:	0.115m
Upper width (MUW):	0.655m
Three-quarter width (MTW):	1.197m
Half width (MHW):	2.093m
Quarter width (MQW):	2.729m
Foot median:	8.318m
ORC Mainsail area:	15.519m?
Surface area:	16.084m?
Clew height:	0.100m
Mast rake:	0.000m

Battens

Position	Length	Roach	Angle	Luff	Leech	Full
80.853%	1.030m	0.242m	70.357?	6.521m	6.927m	Full
59.811%	1.850m	0.343m	70.357?	4.822m	5.124m	Full
39.834%	1.285m	0.293m	70.357?	3.210m	3.413m	
20.000%	1.285m	0.167m	70.357?	1.609m	1.713m	

Reefing Points

1, Luff: 1.000m ; Leech: 1.040m ; Offset: 0.000m ; Number Eyelets: 3
2, Luff: 2.100m ; Leech: 2.183m ; Offset: 0.000m ; Number Eyelets: 3

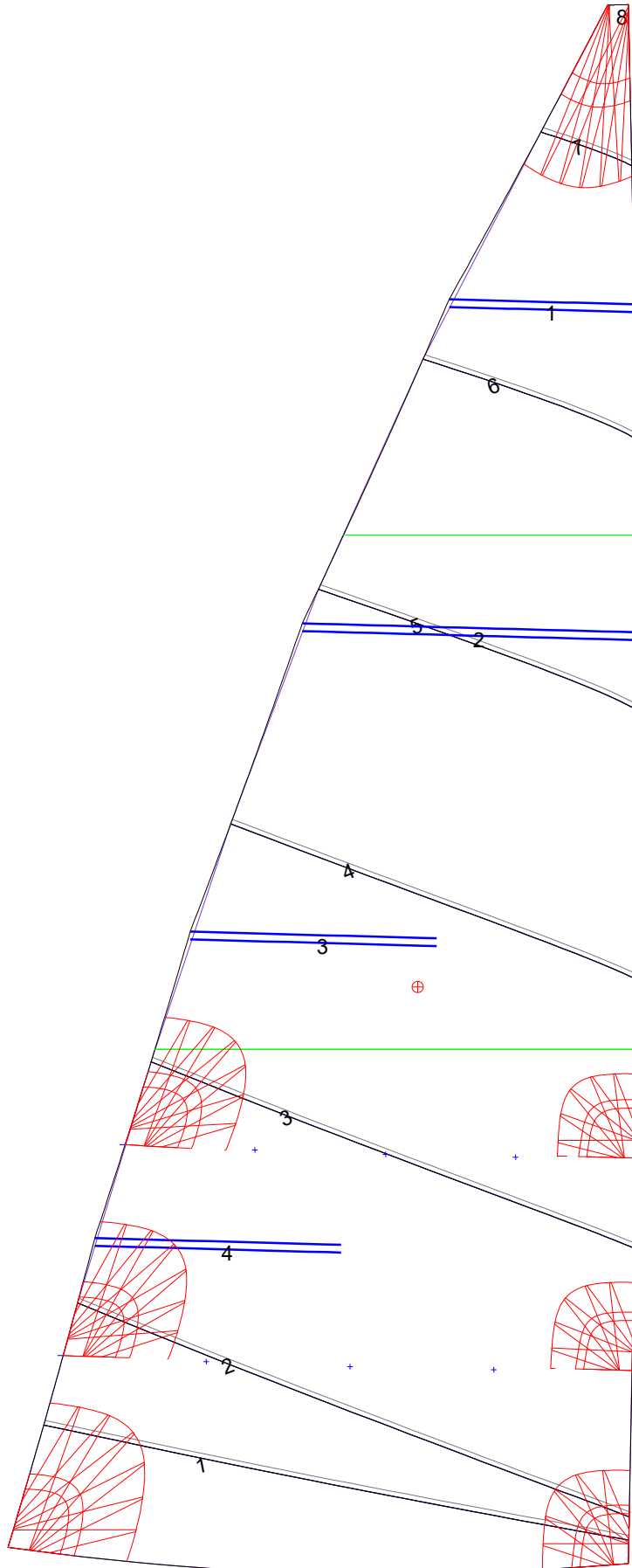
Draft Stripes

1, Luff: 2.663m ; Leech: 2.702m ;
2, Luff: 5.327m ; Leech: 5.534m ;

Luff Curve

		Fanned Luff (@ 5.00% [0.161m])	Before BSeam
8.073m,	0.000m	100% (8.073m) :	0.000m
7.067m,	-0.022m	90% (7.266m) :	0.037m
6.054m,	-0.037m	80% (6.458m) :	0.071m
5.040m,	-0.045m	70% (5.651m) :	0.098m
4.036m,	-0.047m	60% (4.844m) :	0.113m
3.008m,	-0.043m	50% (4.037m) :	0.114m
2.018m,	-0.035m	40% (3.229m) :	0.103m
1.006m,	-0.020m	30% (2.422m) :	0.084m
0.000m,	0.000m	20% (1.615m) :	0.057m
		10% (0.807m) :	0.027m
		0% (0.000m) :	0.000m

Mainsail: 7000212 Arnold main.des



Seam Allowances			
Zone: 1	Split	Radial	Cross
	0.000m	0.000m	0.025m

Edge Excesses			
Sail:	Luff	Leech	Foot
	0.000m	0.000m	0.000m

Total Seam Lengths (m)

Horizontal	14.96
Radial/Vertical	0.00
Bi-Radial Split	0.00

Materials

Material	Area (m ²)	Panels
Material 1	16.06	1,2,3,4,5 6,7,8