

Genoa: 7000208 Adam headsail.des

Design Info
=====

Design File:
C:\Users\Administrator\Desktop\0215\0215\7000208 Adam headsail.des

Initial Design Date: 15/2/2023
Boat:
Client:

Comments:
110%%Furl jib, Tri-radial cut
tack height re-check please
luff=41.184 ft, leech=37.45ft, foot=14.72ft
2 Draft stripes at 33%%&66%%

Design Data
=====

Genoa

Measurements

Luff geodesic:	12.553m
Leech geodesic:	11.416m
Foot geodesic:	4.488m
Headboard width:	0.030m
Luff perpendicular (HLP):	4.077m
Upper width (HUW):	0.439m
Three-quarter width (HTW):	0.871m
Half width (HHW):	1.838m
Quarter width (HQW):	2.919m
Foot median:	11.888m
ORC Headsail area:	24.244m?
IRC Headsail area:	24.186m?
Surface area:	24.328m?
Forestay height:	12.192m
J:	3.706m

Draft Stripes

1, Luff: 4.161m ; Leech: 3.340m ;
2, Luff: 8.315m ; Leech: 7.304m ;

Luff Curve

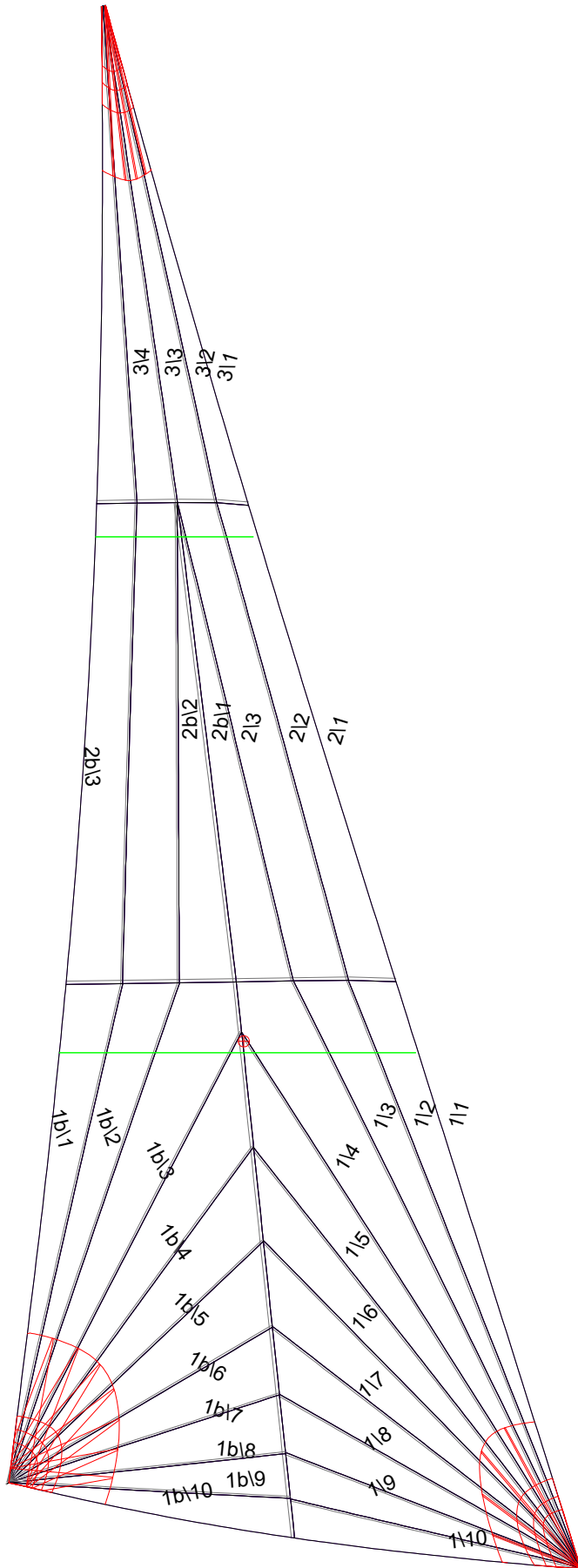
12.550m,	0.000m
11.508m,	0.043m
10.354m,	0.077m
9.339m,	0.095m
8.158m,	0.101m
6.246m,	0.089m
4.079m,	0.060m
2.121m,	0.030m
0.000m,	0.000m

Fanned Luff (@ 5.00% [0.220m])

100% (12.551m) :	-0.000m	-0.000m
90% (11.295m) :	-0.048m	-0.021m
80% (10.042m) :	-0.082m	-0.033m
70% (8.786m) :	-0.098m	-0.033m
60% (7.531m) :	-0.100m	-0.026m
50% (6.276m) :	-0.091m	-0.015m
40% (5.021m) :	-0.076m	-0.005m
30% (3.765m) :	-0.057m	0.001m
20% (2.511m) :	-0.037m	0.006m
10% (1.254m) :	-0.018m	0.006m
0% (0.000m) :	0.000m	0.000m

Before BSeam

Genoa: 7000208 Adam headsail.des



Seam Allowances

Zone:	Split	Radial	Cross
Zone: 1/a	0.025m	0.015m	0.025m
Zone: 1/b	0.025m	0.015m	0.025m
Zone: 2/a	0.025m	0.015m	0.025m
Zone: 2/b	0.025m	0.015m	0.025m
Zone: 3	0.025m	0.015m	0.025m

Edge Excesses

Sail:	Luff	Leech	Foot
	0.000m	0.000m	0.000m

Total Seam Lengths (m)

Horizontal	3.87
Radial/Vertical	86.65
Bi-Radial Split	8.22

Materials

Material	Area (m ²)	Panels
Material 1	24.38	1\1,1\2,1\3,1\4,1\5 1\6,1\7,1\8,1\9,1\10 1b\1,1b\2,1b\3,1b\4,1b\5 1b\6,1b\7,1b\8,1b\9,1b\10 2\1,2\2,2\3,2b\1,2b\2 2b\3,3\1,3\2,3\3,3\4