

Genoa: 7000121 Kurt Corsair F-31R jib V3.des

Design Info

=====

Design File:

F:\Dropbox\Dropbox-20221019\Dropbox20221213\Dropbox\Fareast Sails\2023 Order\Need Confrim Order\7000121 Ku

Initial Design Date: 3/2/2023
 Boat:
 Corsair F-31R
 Client:

Comments:

LP=11.76ft, furl jib, Tri-radial cut
 luff=32.75ft, leech=30.3ft, foot=12.67ft
 3 vertical batten, 10inch roach at top batten
 uv cover on leech and foot

Design Data

=====

Genoa

Measurements

Luff geodesic: 33.815Ft
 Leech geodesic: 29.916Ft
 Foot geodesic: 13.083Ft
 Headboard width: 0.098Ft
 Luff perpendicular (HLP): 11.575Ft
 Upper width (HUW): 2.005Ft
 Three-quarter width (HTW): 3.653Ft
 Half width (HHW): 6.418Ft
 Quarter width (HQW): 8.986Ft
 Foot median: 31.572Ft
 ORC Headsail area: 209.497Ft?
 IRC Headsail area: 210.881Ft?
 Surface area: 212.400Ft?
 Forestay height: 42.500Ft
 J: 11.660Ft

Battens

Position	Length	Roach	Angle	Luff	Leech	Full
75.000%	4.593Ft	0.833Ft	157.640?	84.141Ft	22.284Ft	
50.679%	5.249Ft	0.634Ft	157.640?	195.049Ft	15.058Ft	
27.091%	5.249Ft	0.285Ft	157.640?	302.614Ft	8.049Ft	

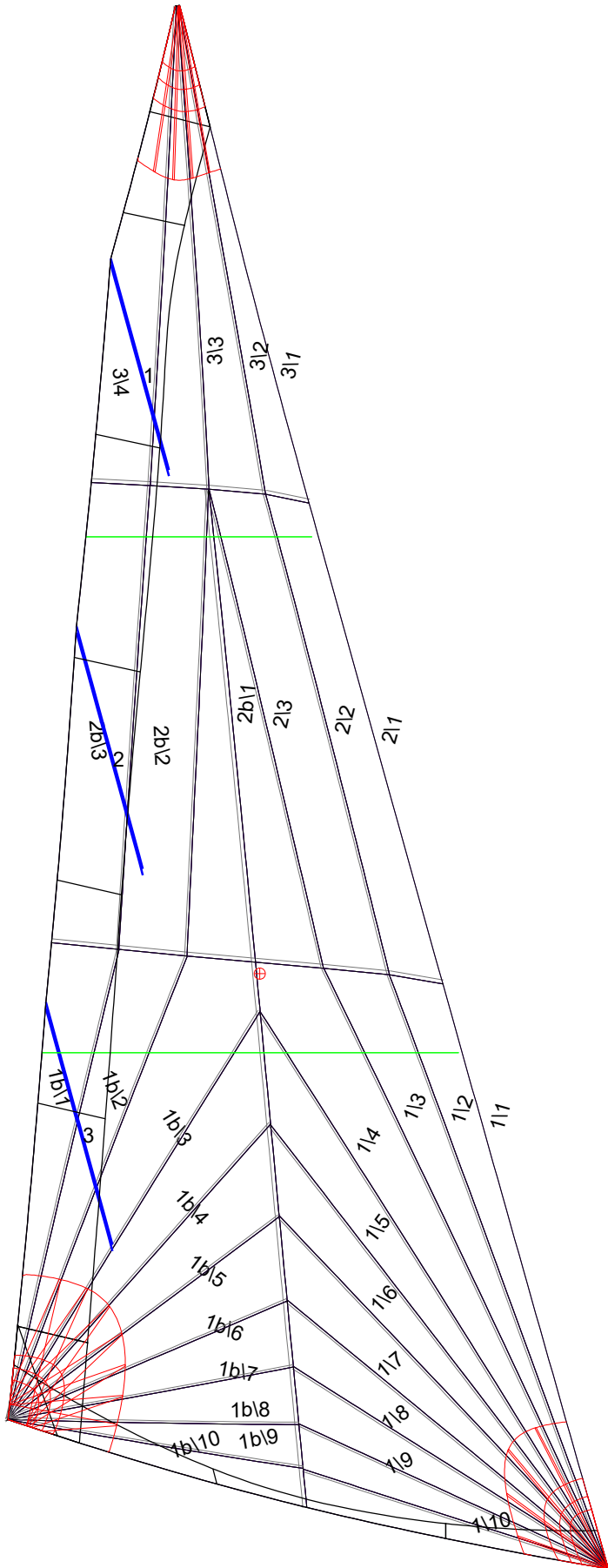
Draft Stripes

1, Luff: 11.204Ft ; Leech: 7.745Ft ;
 2, Luff: 22.390Ft ; Leech: 18.535Ft ;

Luff Curve

		Fanned Luff (@ 5.00% [0.626Ft])	Before BSeam
33.808Ft,	0.000Ft	100% (33.808Ft) :	-0.000Ft
30.999Ft,	0.115Ft	90% (30.428Ft) :	-0.133Ft
27.892Ft,	0.208Ft	80% (27.050Ft) :	-0.241Ft
25.156Ft,	0.256Ft	70% (23.668Ft) :	-0.287Ft
21.976Ft,	0.274Ft	60% (20.287Ft) :	-0.288Ft
16.824Ft,	0.241Ft	50% (16.905Ft) :	-0.265Ft
10.988Ft,	0.163Ft	40% (13.524Ft) :	-0.224Ft
5.714Ft,	0.082Ft	30% (10.143Ft) :	-0.174Ft
0.000Ft,	0.000Ft	20% (6.762Ft) :	-0.117Ft
		10% (3.380Ft) :	-0.060Ft
		0% (0.000Ft) :	0.000Ft

Genoa: 7000121 Kurt Corsair F-31R jib V3.des



Seam Allowances

	Split	Radial	Cross
Zone: 1/a	0.082Ft	0.049Ft	0.082Ft
Zone: 1/b	0.082Ft	0.049Ft	0.082Ft
Zone: 2/a	0.082Ft	0.049Ft	0.082Ft
Zone: 2/b	0.082Ft	0.049Ft	0.082Ft
Zone: 3	0.082Ft	0.049Ft	0.082Ft
Cover 1	0.082Ft	0.082Ft	0.082Ft
Cover 2	0.082Ft	0.082Ft	0.082Ft
Cover 3	0.000Ft	0.000Ft	0.000Ft
Cover 4	0.000Ft	0.000Ft	0.000Ft

Edge Excesses

	Luff	Leech	Foot
Sail:	0.000Ft	0.000Ft	0.000Ft
Cover 0	0.230Ft	0.230Ft	0.230Ft
Cover 1	0.230Ft	0.230Ft	0.230Ft
Cover 2	0.000Ft	0.230Ft	0.230Ft
Cover 3	0.000Ft	0.230Ft	0.230Ft

Total Seam Lengths (Ft)

Horizontal	13.56
Radial/Vertical	236.72
Bi-Radial Split	22.06

Materials

Material	Area (Ft ²)	Panels
Material 1	212.72	1\1,1\2,1\3,1\4,1\5 1\6,1\7,1\8,1\9,1\10 1b\1,1b\2,1b\3,1b\4,1b\5 1b\6,1b\7,1b\8,1b\9,1b\10 2\1,2\2,2\3,2b\1,2b\2 2b\3,3\1,3\2,3\3,3\4