

# Genoa: 7000110 James-2 hanks jib 105%.des

Design Info  
=====

Design File:  
F:\Dropbox\Dropbox-20221019\Dropbox20221213\Dropbox\Fareast Sails\2023 Order\Need Confrim Order\7000110 Ja

Initial Design Date: 31/1/2023  
Boat:

Comments:

Client:

Design Data  
=====

## Genoa

### Measurements

Luff geodesic: 27.887Ft  
 Leech geodesic: 25.241Ft  
 Foot geodesic: 10.636Ft  
 Headboard width: 0.148Ft  
 Luff perpendicular (HLP): 9.646Ft  
 Upper width (HUW): 1.426Ft  
 Three-quarter width (HTW): 2.703Ft  
 Half width (HHW): 5.051Ft  
 Quarter width (HQW): 7.349Ft  
 Foot median: 26.321Ft  
 ORC Headsail area: 138.971Ft?  
 IRC Headsail area: 139.174Ft?  
 Surface area: 140.535Ft?  
 Forestay height: 28.609Ft  
 J: 9.186Ft

### Battens

Position	Length	Roach	Angle	Luff	Leech	Full
77.000%	1.804Ft	0.232Ft	86.003?	21.797Ft	19.360Ft	
51.700%	2.493Ft	0.183Ft	86.003?	15.144Ft	12.999Ft	
26.000%	2.493Ft	0.071Ft	86.003?	8.385Ft	6.537Ft	

### Draft Stripes

1, Luff: 9.239Ft ; Leech: 7.334Ft ;  
 2, Luff: 18.465Ft ; Leech: 16.101Ft ;

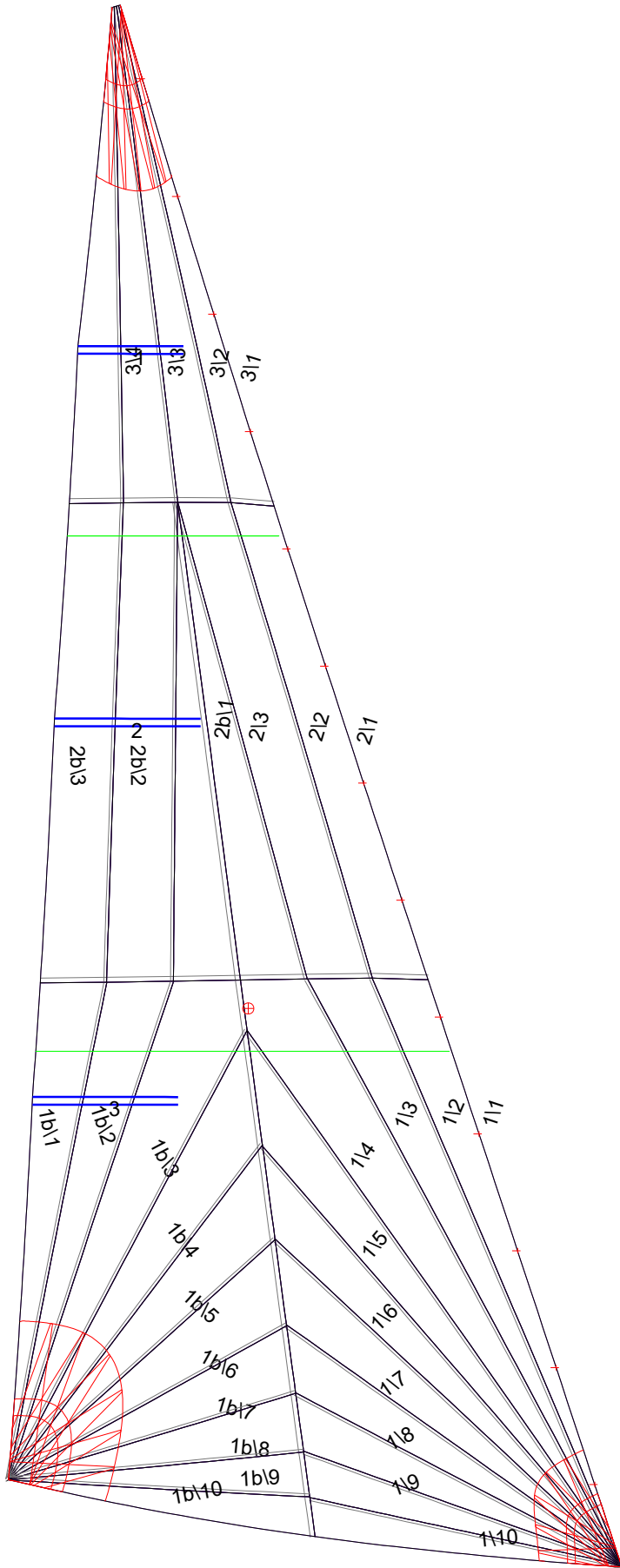
### Luff Slides

1, Position: 1.471Ft  
 2, Position: 3.564Ft  
 3, Position: 5.656Ft  
 4, Position: 7.748Ft  
 5, Position: 9.841Ft  
 6, Position: 11.933Ft  
 7, Position: 14.025Ft  
 8, Position: 16.118Ft  
 9, Position: 18.210Ft  
 10, Position: 20.302Ft  
 11, Position: 22.395Ft  
 12, Position: 24.487Ft  
 13, Position: 26.579Ft

### Luff Curve

		Fanned Luff (@ 5.00% [0.521Ft])	Before BSeam
27.883Ft,	0.000Ft	100% (27.884Ft) :	0.000Ft
25.566Ft,	0.080Ft	90% (25.094Ft) :	-0.014Ft
23.004Ft,	0.144Ft	80% (22.310Ft) :	-0.016Ft
20.748Ft,	0.178Ft	70% (19.519Ft) :	-0.009Ft
18.125Ft,	0.190Ft	60% (16.731Ft) :	0.004Ft
13.876Ft,	0.167Ft	50% (13.942Ft) :	0.023Ft
9.062Ft,	0.113Ft	40% (11.154Ft) :	0.033Ft
4.713Ft,	0.057Ft	30% (8.365Ft) :	0.034Ft
0.000Ft,	0.000Ft	20% (5.578Ft) :	0.032Ft
		10% (2.787Ft) :	0.023Ft
		0% (0.000Ft) :	0.000Ft

# Genoa: 7000110 James-2 hanks jib 105%.des



## Seam Allowances

Zone:	Split	Radial	Cross
Zone: 1/a	0.082Ft	0.049Ft	0.082Ft
Zone: 1/b	0.082Ft	0.049Ft	0.082Ft
Zone: 2/a	0.082Ft	0.049Ft	0.082Ft
Zone: 2/b	0.082Ft	0.049Ft	0.082Ft
Zone: 3	0.082Ft	0.049Ft	0.082Ft

## Edge Excesses

Sail:	Luff	Leech	Foot
Sail:	0.000Ft	0.000Ft	0.000Ft

## Total Seam Lengths (Ft)

Horizontal	10.53
Radial/Vertical	196.09
Bi-Radial Split	18.44

## Materials

Material	Area (Ft <sup>2</sup> )	Panels
Material 1	140.78	1\1,1\2,1\3,1\4,1\5 1\6,1\7,1\8,1\9,1\10 1b\1,1b\2,1b\3,1b\4,1b\5 1b\6,1b\7,1b\8,1b\9,1b\10 2\1,2\2,2\3,2b\1,2b\2 2b\3,3\1,3\2,3\3,3\4