

HEADSAIL MEASUREMENT FORM

We require the following information and measurements to enable us to ensure a perfect fit for your new sail. Please note that if asked for max dimensions or max hoist, we will deduct a suitable amount for stretch. Do not measure sails using a rope. It is advisable to use a long fiberglass tape.

CUSTOMER NAME:

BOAT TYPE:

RIG TYPE: FRACTIONAL OR MASTHEAD

HOW TO COMPLETE THIS FORM:

Either measure existing sail or enter rig dimensions

EXISTING SAIL

Pull sail tight for measurement. Ensure each length is a straight line measurement from head to tack and clew.

MAX LUFF	MAX LEECH	MAX FOOT	LP*
m	m	m	m

* The shortest diagonal distance between the clew and the luff
Attach at clew, sweep measure in arc at luff.

MEASURE YOUR RIG

Attach tape measure to genoa halyard and maximum hoist to top block.

1. Take measurement to deck for **(I)**
Take measurement direct down to side deck. m

2. Now measure max Luff length **(A)**
Take measurement to tack pin on furler. m

3. Now measure **(J)** length.
Drop halyard, remove tape measure and attach to forestay intersection at bow. Measure length from this position to front of mast. m

4. Track positions
Whilst tape measure is attached to tack pin at bow, measure your sheeting track positions to front and back IN STRAIGHT LINE.

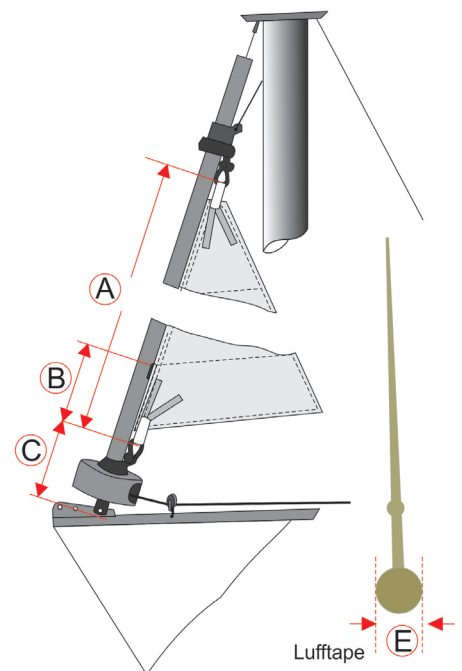
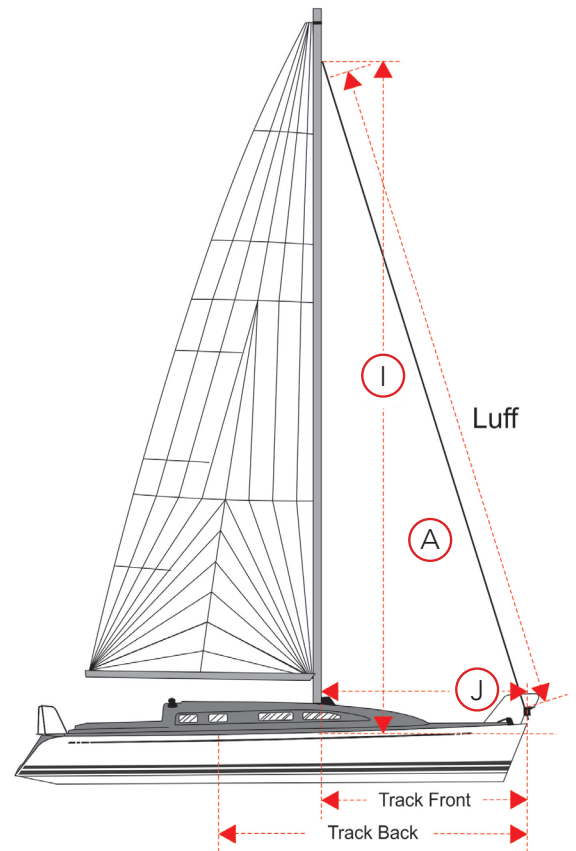
TRACK FRONT m

TRACK BACK m

SAIL OPTIONS (circle)

9oz Sunbrella UV Colour - Navy blue, marine blue, red, white, black, other. 5oz Sunbrella Captain Navy, White and Silver.

- UV to Port or Starboard
 - Foam Luff Yes/No
 - Hanks Yes/No mm
- If Yes: Forestay Diameter



TACK DETAILS

- (B)** Sail insertion height mm
- (C)** Deck to top of shackle mm
- (E)** Diameter of luff tape* mm

*If measuring groove on foil deduct 1mm.