

# Mainsail: 7000106 Spencer mainsail.des

Design Info  
=====

Design File:  
F:\Dropbox\Dropbox-20221019\Dropbox20221213\Dropbox\Fareast Sails\2023 Order\Need Confrim Order\7000106 Sp

Initial Design Date: 31/1/2023  
Boat:

Comments:

Client:

Design Data  
=====

Main

Measurements

Luff geodesic: 25.886Ft  
 Leech geodesic: 27.533Ft  
 Foot geodesic: 9.744Ft  
 Head geodesic: 0.377Ft  
 Upper width (MUW): 1.959Ft  
 Three-quarter width (MTW): 3.558Ft  
 Half width (MHW): 6.198Ft  
 Quarter width (MQW): 8.180Ft  
 Foot median: 26.381Ft  
 ORC Mainsail area: 148.790Ft?  
 Surface area: 151.995Ft?  
 Clew height: 0.328Ft  
 Mast rake: 0.000Ft

Battens

Position	Length	Roach	Angle	Luff	Leech	Full
80.000%	2.067Ft	0.676Ft	71.505?	20.694Ft	21.923Ft	
60.000%	2.953Ft	0.908Ft	71.505?	15.519Ft	16.442Ft	
40.000%	2.953Ft	0.774Ft	71.505?	10.345Ft	10.962Ft	
20.000%	2.461Ft	0.442Ft	71.505?	5.172Ft	5.481Ft	

Reefing Points

1, Luff: 3.623Ft ; Leech: 3.760Ft ; Offset: 0.000Ft ; Number Eyelets: 2  
 2, Luff: 7.375Ft ; Leech: 7.654Ft ; Offset: 0.000Ft ; Number Eyelets: 2

Draft Stripes

1, Luff: 8.540Ft ; Leech: 8.662Ft ;  
 2, Luff: 17.082Ft ; Leech: 17.686Ft ;

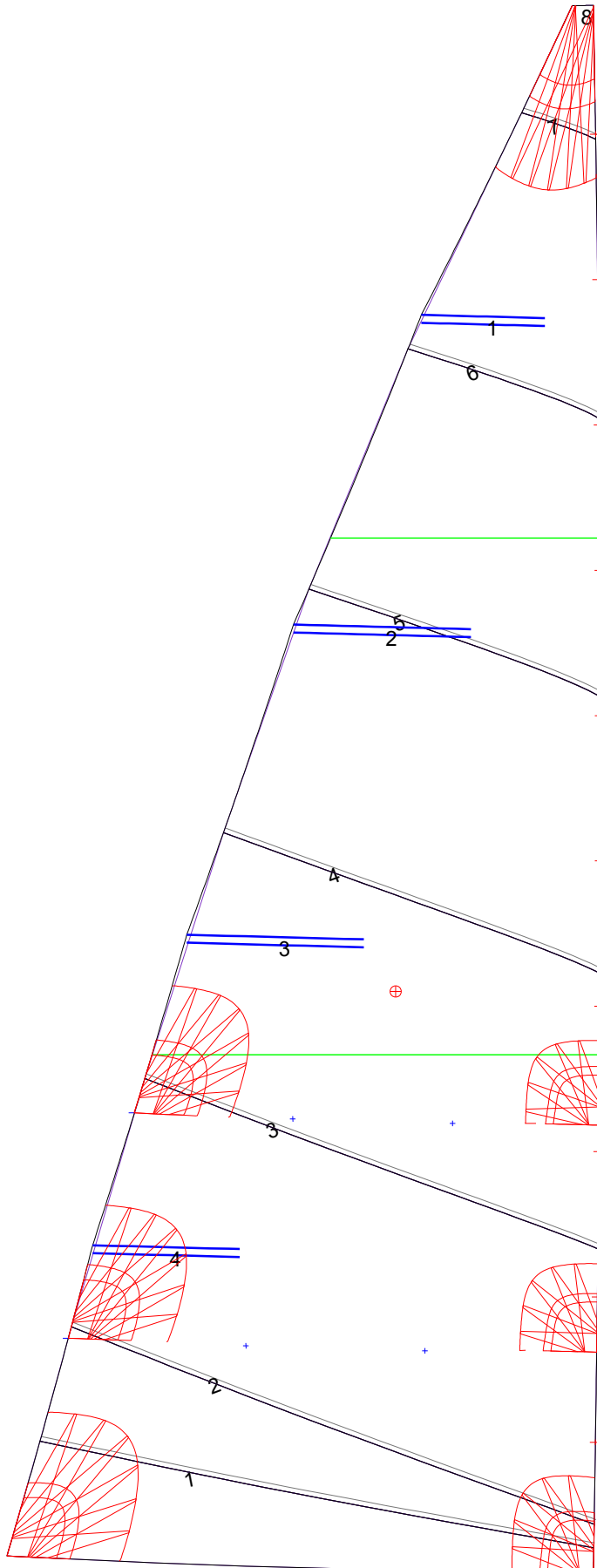
Luff Slides

1, Position: 2.132Ft  
 2, Position: 4.535Ft  
 3, Position: 6.937Ft  
 4, Position: 9.339Ft  
 5, Position: 11.742Ft  
 6, Position: 14.144Ft  
 7, Position: 16.546Ft  
 8, Position: 18.949Ft  
 9, Position: 21.351Ft  
 10, Position: 23.753Ft

Luff Curve

		Fanned Luff (@ 5.00% [0.485Ft])	Before BSeam
25.885Ft,	0.000Ft	100% (25.886Ft) :	0.000Ft
22.659Ft,	-0.054Ft	90% (23.298Ft) :	0.102Ft
19.414Ft,	-0.094Ft	80% (20.709Ft) :	0.199Ft
16.160Ft,	-0.113Ft	70% (18.120Ft) :	0.273Ft
12.942Ft,	-0.117Ft	60% (15.532Ft) :	0.316Ft
9.645Ft,	-0.108Ft	50% (12.943Ft) :	0.328Ft
6.471Ft,	-0.087Ft	40% (10.354Ft) :	0.304Ft
3.226Ft,	-0.049Ft	30% (7.766Ft) :	0.253Ft
0.000Ft,	0.000Ft	20% (5.177Ft) :	0.178Ft
		10% (2.589Ft) :	0.086Ft
		0% (0.000Ft) :	0.000Ft

# Mainsail: 7000106 Spencer mainsail.des



Seam Allowances			
Zone: 1	Split	Radial	Cross
	0.000Ft	0.000Ft	0.082Ft

Edge Excesses			
Sail:	Luff	Leech	Foot
	0.000Ft	0.000Ft	0.000Ft

Total Seam Lengths (Ft)

Horizontal	44.33
Radial/Vertical	0.00
Bi-Radial Split	0.00

Materials

Material	Area (Ft <sup>2</sup> )	Panels
Material 1	151.82	1,2,3,4,5 6,7,8