

Mainsail: 7000102 Christian square top main V2.des

Michael

Design Info

=====

Initial Design Date: 11/1/2023
 Boat:
 Pogo 40 square top mainsail
 Client:
 Michael

Design File:
 C:\Users\Administrator\Desktop\0217\0217\7000102 Christian square top main V2.des

Comments:
 comment: batten length to be re-confirmed, please check all battens placement,

 if you measured old sail, did you get some pic of old sail?

Design Data

=====

Main

Measurements

Luff geodesic: 16.250m
 Leech geodesic: 16.900m
 Foot geodesic: 5.500m
 Head geodesic: 1.500m
 Upper width (MUW): 2.095m
 Three-quarter width (MTW): 3.052m
 Half width (MHW): 4.114m
 Quarter width (MQW): 4.848m
 Foot median: 16.520m
 ORC Mainsail area: 62.658m?
 Surface area: 65.001m?
 Clew height: 0.368m
 Mast rake: 0.000m

Battens

Position	Length	Roach	Angle	Luff	Leech	Full
100.000%	1.971m	0.050m	114.582?	14.992m	16.799m	Full
86.276%	2.714m	0.512m	84.065?	13.740m	14.493m	Full
69.789%	3.528m	0.587m	79.828?	11.238m	11.724m	Full
54.240%	4.066m	0.496m	79.828?	8.731m	9.112m	Full
38.646%	4.525m	0.371m	79.828?	6.218m	6.492m	Full
15.615%	2.216m	0.155m	79.828?	2.507m	2.623m	

Reefing Points

1, Luff: 2.679m ; Leech: 2.707m ; Offset: 0.000m ; Number Eyelets: 0
 2, Luff: 5.439m ; Leech: 5.495m ; Offset: 0.000m ; Number Eyelets: 0
 3, Luff: 9.499m ; Leech: 9.590m ; Offset: 0.000m ; Number Eyelets: 0

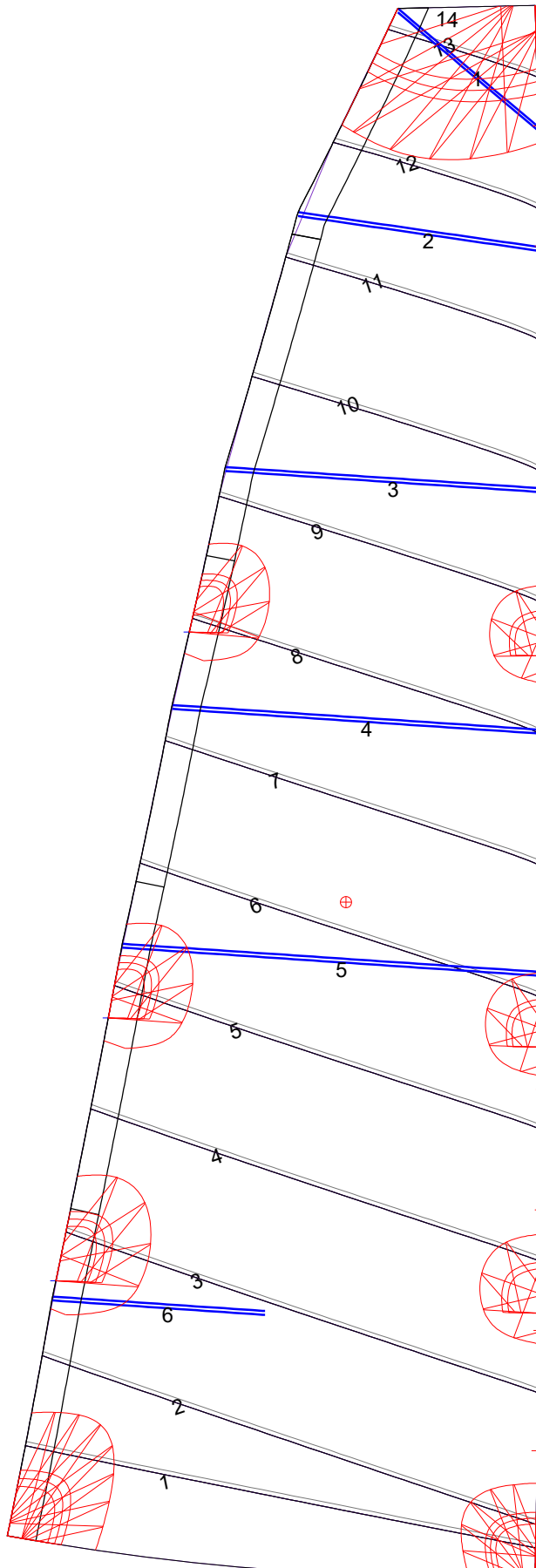
Luff Slides

1, Position: 1.250m
 2, Position: 2.500m
 3, Position: 3.750m
 4, Position: 5.000m
 5, Position: 6.250m
 6, Position: 7.500m
 7, Position: 8.750m
 8, Position: 10.000m
 9, Position: 11.250m
 10, Position: 12.500m
 11, Position: 13.750m
 12, Position: 15.000m

Luff Curve

		Fanned Luff (@ 5.00% [0.274m])	Before BSeam
16.249m,	0.000m	100% (16.250m) :	0.000m
14.224m,	-0.046m	90% (14.626m) :	0.079m
12.187m,	-0.073m	80% (13.000m) :	0.150m
10.144m,	-0.083m	70% (11.375m) :	0.183m
8.124m,	-0.082m	60% (9.750m) :	0.187m
6.055m,	-0.074m	50% (8.125m) :	0.174m
4.062m,	-0.059m	40% (6.500m) :	0.148m
2.025m,	-0.034m	30% (4.875m) :	0.115m
0.000m,	0.000m	20% (3.250m) :	0.075m
		10% (1.625m) :	0.034m
		0% (0.000m) :	0.000m

Mainsail: 7000102 Christian square top main V2.des Michael



Seam Allowances			
Zone:	Split	Radial	Cross
1	0.000m	0.000m	0.045m
Cover 1	0.025m	0.025m	0.025m

Edge Excesses			
Sail:	Luff	Leech	Foot
Cover 0	0.000m	0.000m	0.000m

Total Seam Lengths (m)

Horizontal	52.99
Radial/Vertical	0.00
Bi-Radial Split	0.00

Materials

Material	Area (m ²)	Panels
Material 1	65.03	1,2,3,4,5 6,7,8,9,10 11,12,13,14