

Mainsail: 6001214 Philippe mainsail.des

Design Info
=====

Design File:
F:\Dropbox\Dropbox-20221019\Dropbox20221213\Dropbox\Fareast Sails\2023 Order\Need Confrim Order\6001214 PH

Initial Design Date: 31/1/2023
Boat:

Comments:
leech length base on tack angle 88.5 degree.

Client:

Design Data
=====

Main

Measurements

Luff geodesic: 36.381Ft
Leech geodesic: 38.085Ft
Foot geodesic: 11.880Ft
Head geodesic: 0.377Ft
Upper width (MUW): 2.279Ft
Three-quarter width (MTW): 4.161Ft
Half width (MHW): 7.359Ft
Quarter width (MQW): 9.836Ft
Foot median: 37.154Ft
ORC Mainsail area: 250.017Ft?
Surface area: 255.651Ft?
Clew height: 0.328Ft
Mast rake: 0.000Ft

Battens

Position	Length	Roach	Angle	Luff	Leech	Full
80.000%	3.582Ft	0.655Ft	73.869?	29.089Ft	30.369Ft	Full
60.000%	6.304Ft	0.878Ft	73.869?	21.815Ft	22.777Ft	Full
40.000%	8.526Ft	0.793Ft	73.869?	14.542Ft	15.185Ft	Full
20.000%	10.307Ft	0.452Ft	73.869?	7.270Ft	7.592Ft	Full

Reefing Points

1, Luff: 5.455Ft ; Leech: 5.624Ft ; Offset: 0.000Ft ; Number Eyelets: 2
2, Luff: 10.911Ft ; Leech: 11.250Ft ; Offset: 0.000Ft ; Number Eyelets: 2

Draft Stripes

1, Luff: 12.003Ft ; Leech: 12.135Ft ;
2, Luff: 24.007Ft ; Leech: 24.686Ft ;

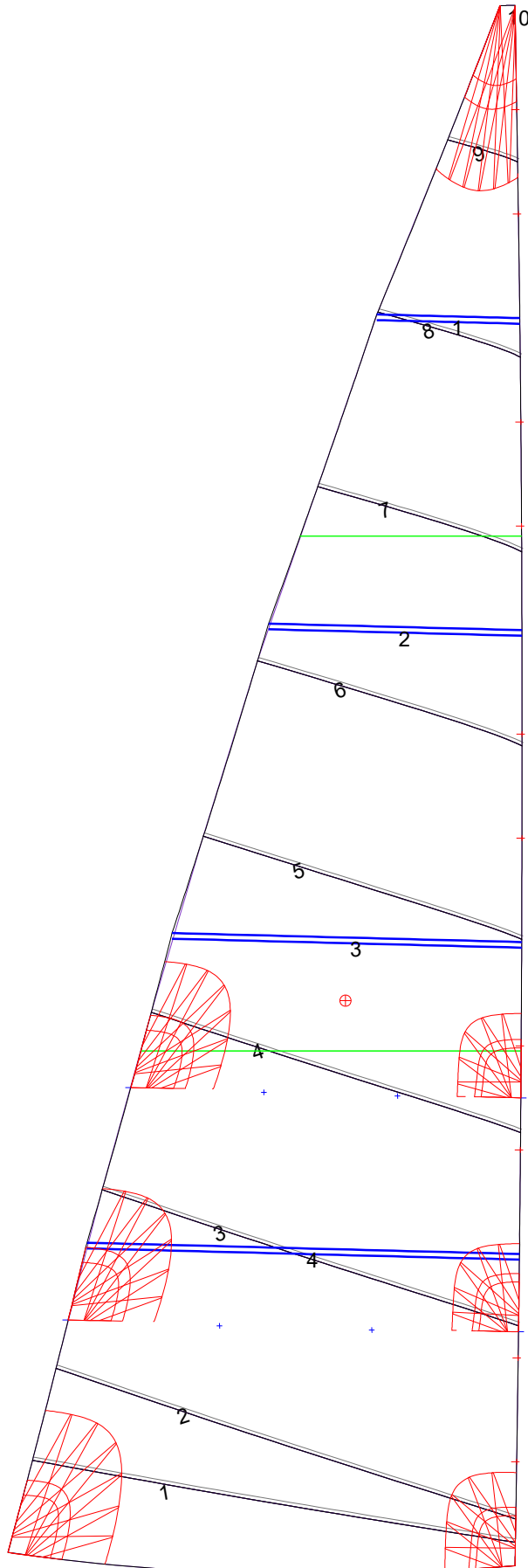
Luff Slides

1, Position: 2.423Ft
2, Position: 4.847Ft
3, Position: 9.694Ft
4, Position: 12.118Ft
5, Position: 16.966Ft
6, Position: 19.391Ft
7, Position: 24.240Ft
8, Position: 26.664Ft
9, Position: 31.520Ft
10, Position: 33.950Ft

Luff Curve

		Fanned Luff (@ 5.00% [0.592Ft])	Before BSeam
36.380Ft,	0.000Ft	100% (36.381Ft) :	0.000Ft
31.846Ft,	-0.076Ft	90% (32.744Ft) :	0.127Ft
27.285Ft,	-0.130Ft	80% (29.105Ft) :	0.247Ft
22.712Ft,	-0.158Ft	70% (25.467Ft) :	0.339Ft
18.190Ft,	-0.163Ft	60% (21.829Ft) :	0.392Ft
13.556Ft,	-0.151Ft	50% (18.191Ft) :	0.401Ft
9.095Ft,	-0.121Ft	40% (14.552Ft) :	0.365Ft
4.533Ft,	-0.069Ft	30% (10.914Ft) :	0.296Ft
0.000Ft,	0.000Ft	20% (7.276Ft) :	0.206Ft
		10% (3.638Ft) :	0.099Ft
		0% (0.000Ft) :	0.000Ft

Mainsail: 6001214 Philippe mainsail.des



Seam Allowances			
Zone: 1	Split	Radial	Cross
	0.000Ft	0.000Ft	0.082Ft

Edge Excesses			
Sail:	Luff	Leech	Foot
	0.000Ft	0.000Ft	0.000Ft

Total Seam Lengths (Ft)

Horizontal	68.51
Radial/Vertical	0.00
Bi-Radial Split	0.00

Materials

Material	Area (Ft ²)	Panels
Material 1	255.84	1,2,3,4,5 6,7,8,9,10