

Mainsail: 6001212 Ken-Main.des

Design Info
=====

Design File:
F:\Dropbox\Dropbox-20221019\Dropbox20221213\Dropbox\Fareast Sails\2022 Order\Need confirm order\6001212 Ken

Initial Design Date: 5/11/2022
Boat:

Comments:

Client:

Design Data
=====

Main

Measurements

Luff geodesic: 13.959m
 Leech geodesic: 14.301m
 Foot geodesic: 4.059m
 Head geodesic: 0.115m
 Upper width (MUW): 0.774m
 Three-quarter width (MTW): 1.421m
 Half width (MHW): 2.508m
 Quarter width (MQW): 3.352m
 Foot median: 14.144m
 ORC Mainsail area: 32.702m?
 Surface area: 33.364m?
 Clew height: 0.106m
 Mast rake: 0.000m

Battens

Position	Length	Roach	Angle	Luff	Leech	Full
80.000%	0.849m	0.223m	75.661?	11.187m	11.413m	
60.000%	1.213m	0.300m	75.661?	8.421m	8.560m	
40.000%	1.310m	0.256m	75.661?	5.655m	5.707m	
20.000%	1.350m	0.146m	75.661?	2.890m	2.853m	

Reefing Points

1, Luff: 2.092m ; Leech: 2.129m ; Offset: 0.000m ; Number Eyelets: 0
 2, Luff: 4.185m ; Leech: 4.258m ; Offset: 0.000m ; Number Eyelets: 0
 3, Luff: 6.278m ; Leech: 6.388m ; Offset: 0.000m ; Number Eyelets: 0

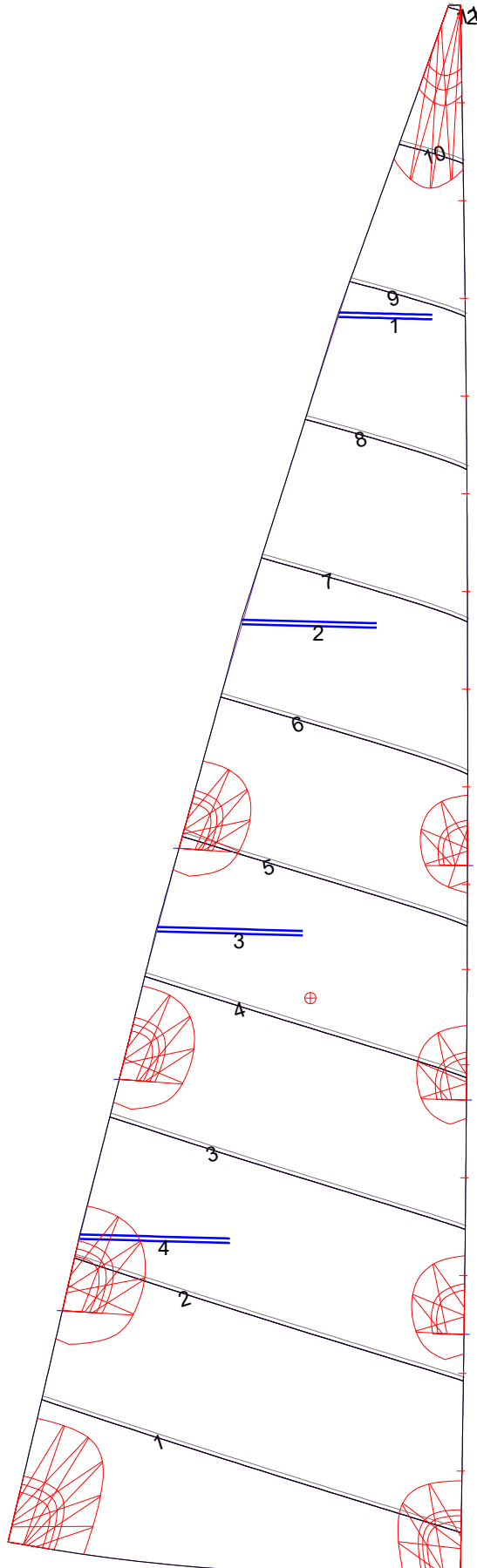
Luff Slides

1, Position: 0.872m
 2, Position: 1.745m
 3, Position: 2.617m
 4, Position: 3.490m
 5, Position: 4.500m
 6, Position: 5.350m
 7, Position: 6.107m
 8, Position: 6.979m
 9, Position: 7.852m
 10, Position: 8.724m
 11, Position: 9.597m
 12, Position: 10.469m
 13, Position: 11.342m
 14, Position: 12.214m
 15, Position: 13.087m

Luff Curve

Luff Curve	Fanned Luff (@ 5.00% [0.202m])	Before BSeam
13.959m, 0.000m	100% (13.959m) :	0.000m
12.219m, -0.029m	90% (12.564m) :	0.046m
10.469m, -0.051m	80% (11.167m) :	0.090m
8.714m, -0.061m	70% (9.771m) :	0.123m
6.979m, -0.064m	60% (8.375m) :	0.142m
5.201m, -0.059m	50% (6.980m) :	0.144m
3.490m, -0.047m	40% (5.584m) :	0.132m
1.739m, -0.027m	30% (4.188m) :	0.108m
0.000m, 0.000m	20% (2.792m) :	0.075m
	10% (1.396m) :	0.037m
	0% (0.000m) :	0.000m

Mainsail: 6001212 Ken-Main.des



Seam Allowances

Zone: 1	Split	Radial	Cross
	0.000m	0.000m	0.035m

Edge Excesses

Sail:	Luff	Leech	Foot
	0.000m	0.000m	0.000m

Total Seam Lengths (m)

Horizontal	24.97
Radial/Vertical	0.00
Bi-Radial Split	0.00

Materials

Material	Area (m ²)	Panels
Material 1	33.39	1,2,3,4,5 6,7,8,9,10 11,12