

Mainsail: 6000326 Fausto-1.des

Design Info
=====

Design File:
F:\Dropbox\Dropbox\Fareast Sails\2022 Order\Need confirm order\6000326 Fausto\6000326 Fausto-1.des

Initial Design Date: 12/5/2022
Boat:

Comments:

Client:

Design Data
=====

Main

Measurements

Luff geodesic: 6.246m
 Leech geodesic: 6.644m
 Foot geodesic: 2.475m
 Head geodesic: 0.102m
 Upper width (MUW): 0.483m
 Three-quarter width (MTW): 0.874m
 Half width (MHW): 1.535m
 Quarter width (MQW): 2.046m
 Foot median: 6.430m
 ORC Mainsail area: 8.964m?
 Surface area: 9.254m?
 Clew height: 0.100m
 Mast rake: 0.000m

Battens

Position	Length	Roach	Angle	Luff	Leech	Full
80.000%	0.769m	0.141m	70.557?	4.993m	5.293m	Full
60.000%	1.333m	0.190m	70.557?	3.744m	3.970m	Full
40.000%	1.779m	0.162m	70.557?	2.496m	2.647m	Full
20.000%	2.148m	0.092m	70.557?	1.248m	1.323m	Full

Reefing Points

1, Luff: 0.937m ; Leech: 0.979m ; Offset: 0.000m ; Number Eyelets: 2
 2, Luff: 1.936m ; Leech: 2.024m ; Offset: 0.000m ; Number Eyelets: 2

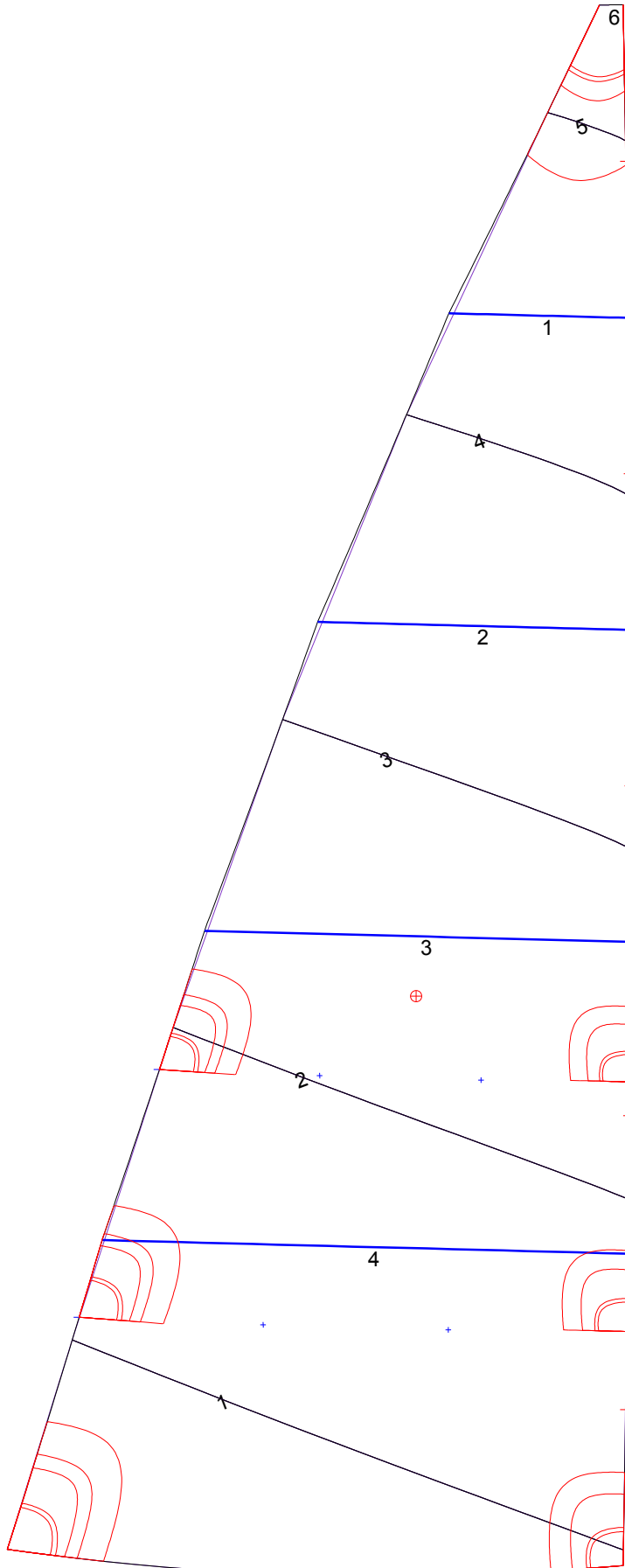
Luff Slides

1, Position: 0.624m
 2, Position: 1.800m
 3, Position: 3.120m
 4, Position: 4.369m
 5, Position: 5.619m

Luff Curve

		Fanned Luff (@ 5.00% [0.123m])	Before BSeam
6.246m,	0.000m	100% (6.246m) :	0.000m
5.467m,	-0.013m	90% (5.622m) :	0.007m
4.684m,	-0.022m	80% (4.997m) :	0.014m
3.899m,	-0.027m	70% (4.372m) :	0.017m
3.123m,	-0.028m	60% (3.748m) :	0.019m
2.327m,	-0.026m	50% (3.123m) :	0.019m
1.561m,	-0.021m	40% (2.498m) :	0.017m
0.778m,	-0.012m	30% (1.874m) :	0.015m
0.000m,	0.000m	20% (1.249m) :	0.011m
		10% (0.625m) :	0.005m
		0% (0.000m) :	0.000m

Mainsail: 6000326 Fausto-1.des



Seam Allowances			
Zone: 1	Split	Radial	Cross
	0.000m	0.000m	0.015m

Edge Excesses			
Sail:	Luff	Leech	Foot
	0.000m	0.000m	0.000m

Total Seam Lengths (m)

Horizontal	7.30
Radial/Vertical	0.00
Bi-Radial Split	0.00

Materials

Material	Area (m ²)	Panels
Material 1	9.22	1,2,3,4,5 6