

Mainsail Measurement Form

Boat Name: **blew m'en-fous**

Boat Type: **beneteau 36s7**

Mast and Boom Dims

P : Maximum Luff Length

42'4"

E : Maximum Foot Length

15'1"

(Sail foot 15'1")

H : Mast Crane Clearance Width

9"

C : Backstay to end of Boom

9'

D : End of Boom to Black Band/Clew

6"

X : Tack Set Back from Mast

20"

Y : Mast Gate Entry From Boom Top

10"

Z : Tack Set Up from Boom

1.5"

BAD : Top of Boom down to Mast Foot

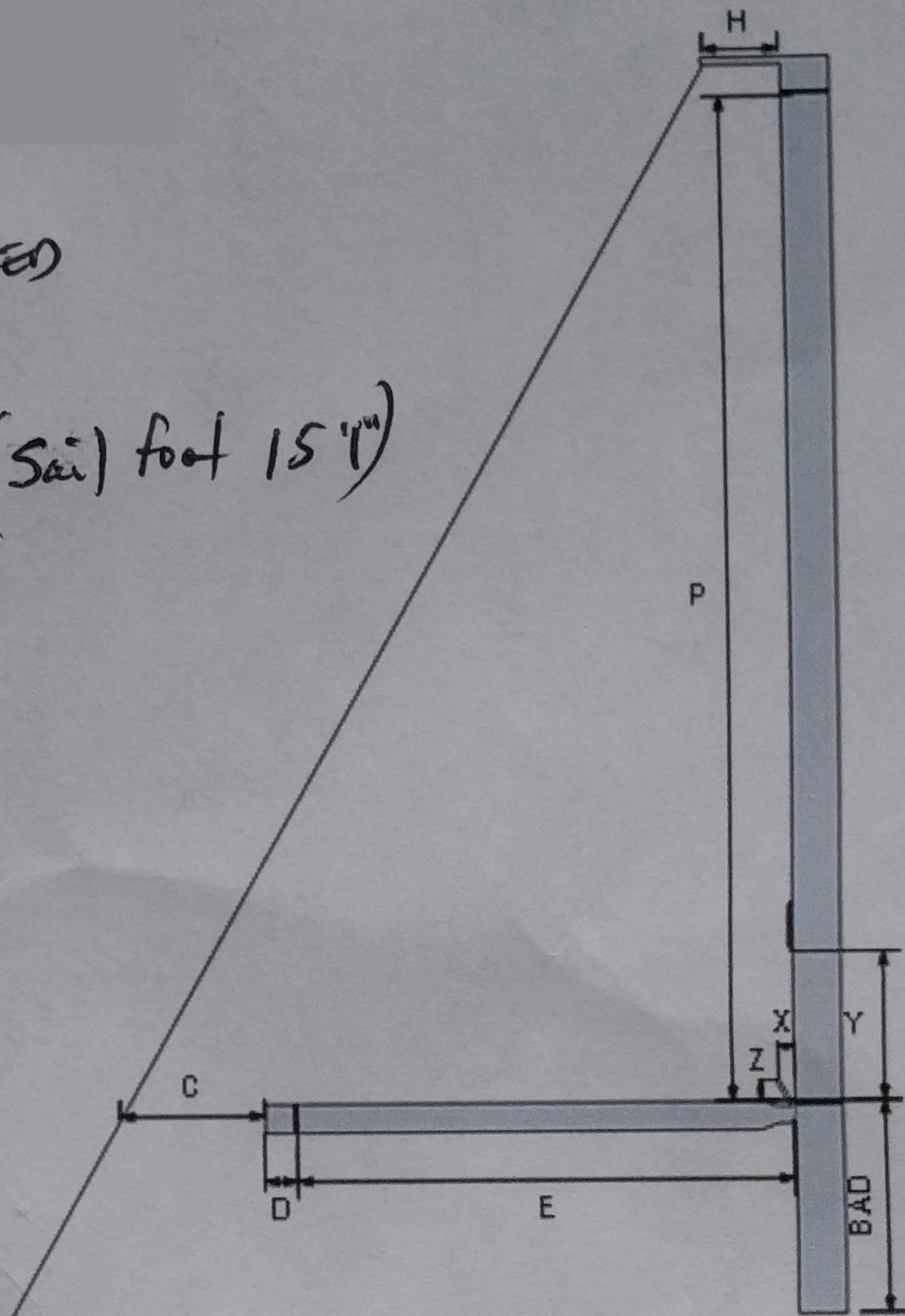
4'

Luff Rope Diameter (if no slides) :

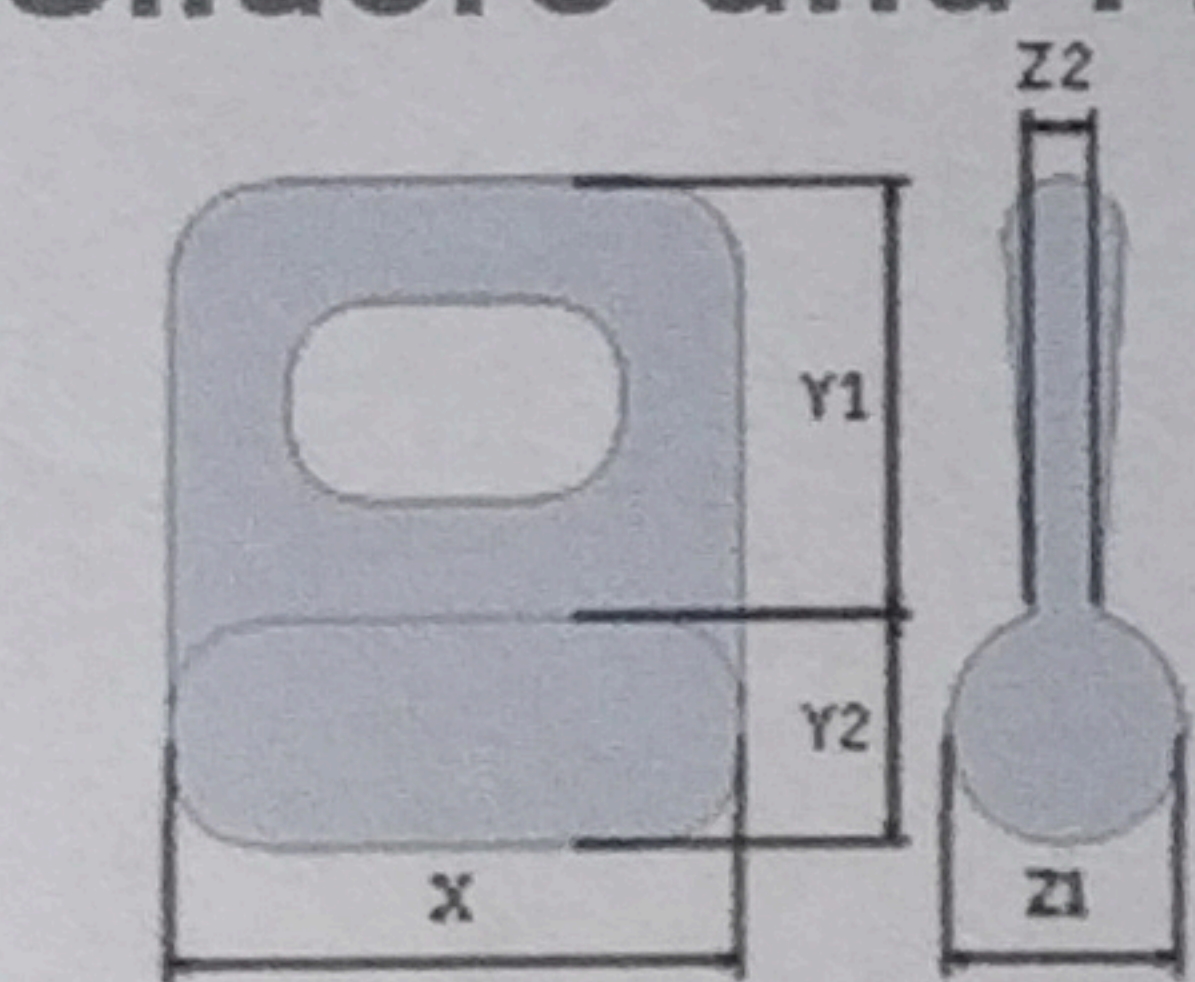
—

Foot Rope Diameter (if not loose) :

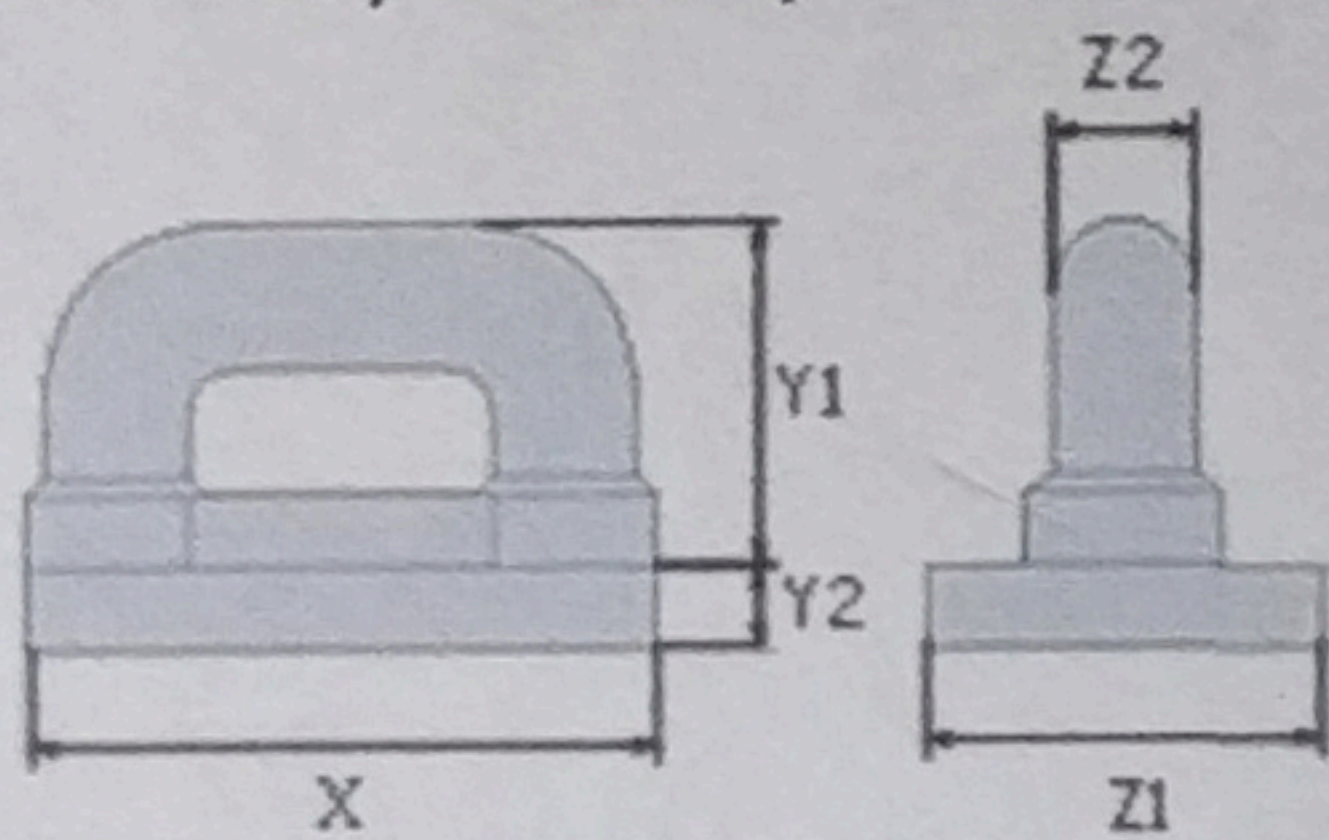
—



Sliders and Mast Bend/Rake

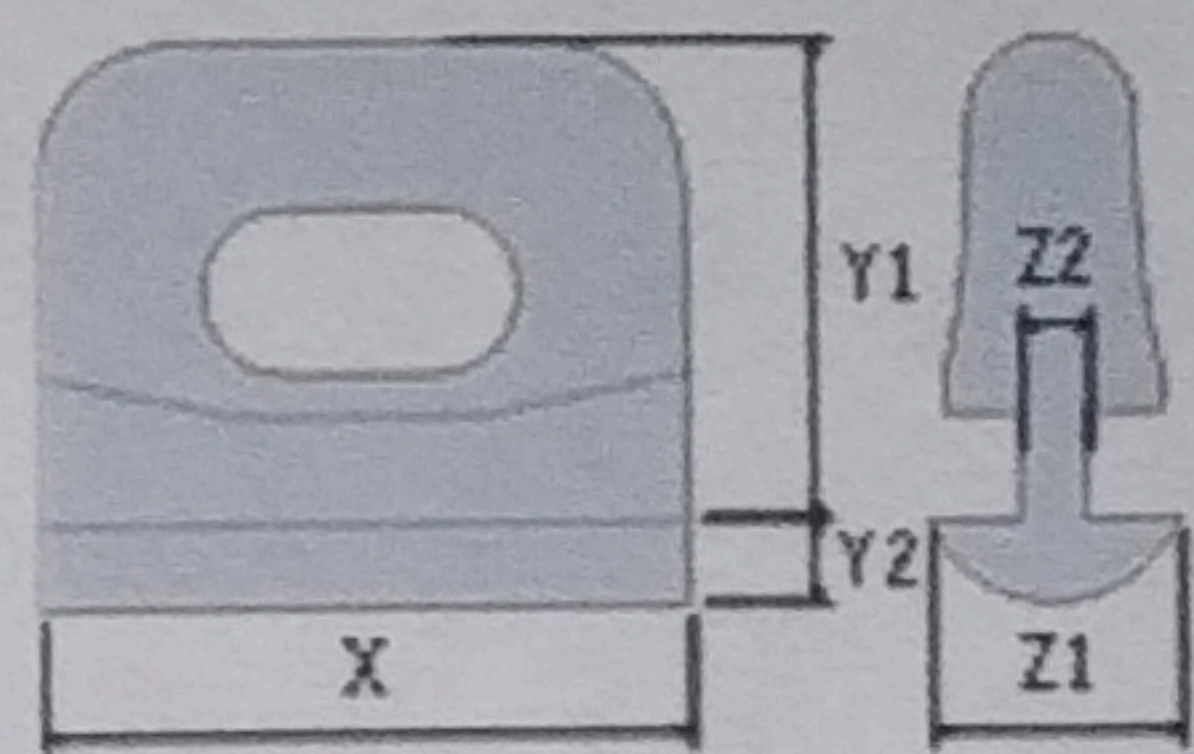


HA158, HA258, HA358



HA89, HA90

Please tell us if none of these sliders match



HA458, HA558

| Number | Other # | X mm | Y1 mm | Z1 mm | Z2 mm | Y2 mm | Select |
|--------|---------|------|-------|-------|-------|-------|-------------------------------------|
| HA158 | A016 | 22 | 29 | 8 | 3 | 9 | <input type="checkbox"/> |
| HA258 | A017 | 50 | 40 | 14 | 3 | 11 | <input type="checkbox"/> |
| HA358 | A018 | 22 | 30 | 12 | 3 | 12 | <input type="checkbox"/> |
| HA89 | A007 | 32 | 21 | 15 | 7 | 4 | <input type="checkbox"/> |
| HA90 | A008 | 35 | 23 | 18 | 9 | 4 | <input type="checkbox"/> |
| HA91 | A009 | 39 | 25 | 21 | 8 | 5 | <input type="checkbox"/> |
| HA458 | A014 | 35 | 29 | 13.8 | 4 | 6 | <input type="checkbox"/> |
| HA558 | A013 | 25 | 22 | 10.5 | 4 | 3 | <input checked="" type="checkbox"/> |

Mast Has Fixed Backstay?

Pre-Bend @ 75%

1/2"

Max Bend @ 75%

1"

Pre-Bend @ 50%

1"

Max Bend @ 50%

2"

Pre-Bend @ 25%

1/2"

Max Bend @ 25%

1"

[Click Here to Email This Form](#)